

# Pt100 Magnet-Temperature Sensor 7130M

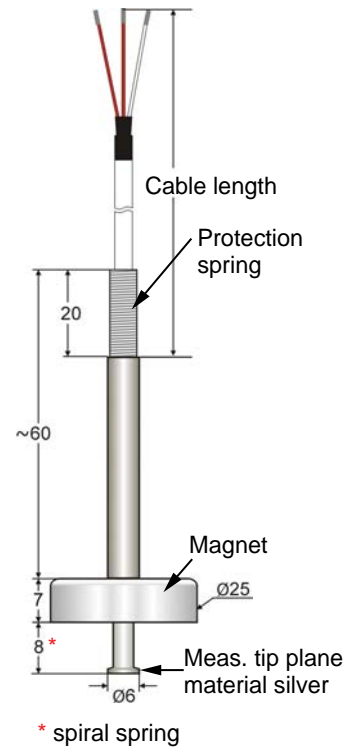
## Temperature measurement at metallic surfaces

### Features

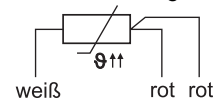
- Resistance RTD Pt100 cl.B DIN EN 60751
- Measuring tip material silver  
Max. temperature at measuring tip 190 °C
- Magnet mounting
- Tip press-on via integr. spiral spring
- Protection spring 20 mm, stainless steel
- Cable type Teflon (PTFE-PTFE)

Ordering-code: 7130M -  1. -  2. -  3. -  4.

1. **Number of elements** (1 or 2 elements)
2. **Type of connection**  
2L 2-wire  
3L 3-wire
3. **Cable length** [mm]
4. **Other features on request**



Connection diagram



Stock Type	Amount	Net price / pc.			
		1	2	5	≥ 10
7130M-1-3L-2000-00	EUR	70.50	65.10	62.40	59.70
7130M-2-2L-2000-00	EUR	79.70	73.60	70.50	67.50
<b>Extra price</b> cable each m	EUR	2.50			