

BCD-Panelmeter BCD 4824/BCD 7224

BCD parallel input

Features

- LED display red or green
- 3-digit display BCD4824
5-digit display BCD7224
- Display LED, 10 or 14.2mm
- BCD Input parallel or multiplex
- Supply voltage 10 ... 30 V DC or 5V DC
- Front protection IP54 or IP65 (optional)



BCD4824, 14.2 mm display



BCD7224, 14.2 mm display

General information

Digital panelmeter BCD4824 and BCD7224 are for monitoring and measurement applications. The small cases are suitable for installation in control units and panel boards.

Short information

Connection Plug-gin connector with adapter-cable. Please order separately.

Display code (each digit)

BCD Code	Display
0000 ... 1001	0 ... 9
1010	-
1011	E
1100	H
1101	L
1110	P
1111	non

Technical data

Power Supply

Supply voltage : 10 ... 30V DC
 Power consumption : approx. 1,2 VA (BCD4824); approx. 1,8 VA (BCD7224)
 Working temperature : -10 ... +60 °C (14 ... 140 °F)

CE -conformity

Standardize IEC 61326 05/2004			Result
IEC 61000-4-2 (ESD)	Case	4 kV/8 kV contact/air	A
IEC 61000-4-3 (Air irradiation)		10 V/m	A
IEC 61000-4-8 (Magnetic field)		30 A/m	Dispensed with
IEC 61000-4-4 (Burst)	DC current supply connection	2 kV	A
IEC 61000-4-5 (Surge)		1 kV L/N, 2 kV L,N/PE	A
IEC 61000-4-6 (Irradiate line)		3V	A
IEC 61000-4-4 (Burst)	Input/output, signal/control	1 kV	A
IEC 61000-4-5 (Surge)		1 kV L/N/PE	A
IEC 61000-4-6 (Irradiate line)		3 V	A
CISPR16-1/16-2	Radiated interference		Passed

Display

BCD4824 : 3-digit
 BCD7224 : 5-digit

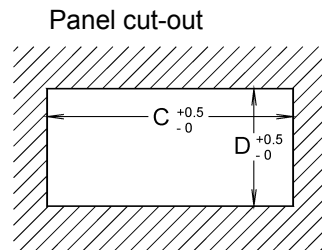
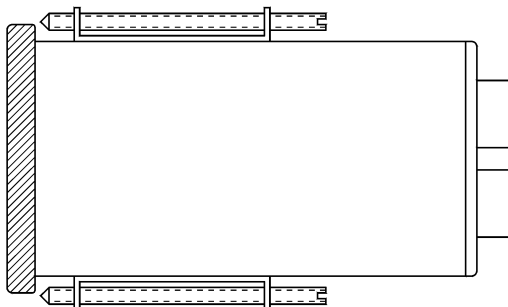
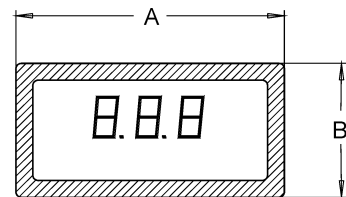
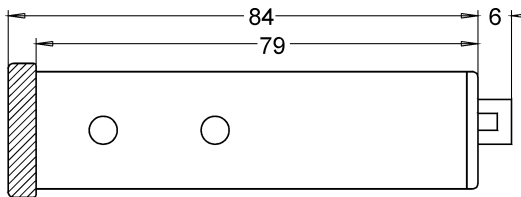
Display height : 10 mm or 14.2 mm
 Decimal selection : control input for each point
 Display colour : red or green

Inputs

Control : parallel or multiplex
 Voltage level : low signal 0 ... 3 V DC, high signal 10 ... 30 V DC
 5V TTL - level (optional)
 Input resistance : approx. 20 kΩ
 max. rise time of the strobe inputs 10 ms

Case : slide-in unit acc. DIN 43700 of Noryl GFN 2SE1
 Weight : approx. 60 g (BCD4824) approx. 100 g (BCD7224)
 Connection : plug-in connector,
 16pol. (BCD4824); 26pol. (BCD7224)
 Front protection : IP 54 , IP 65 (optional)

Dimension



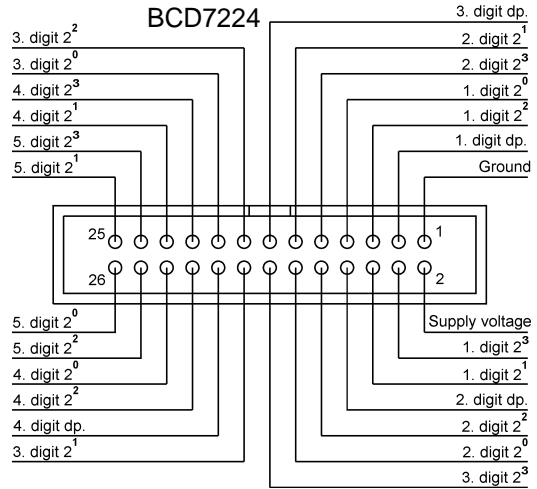
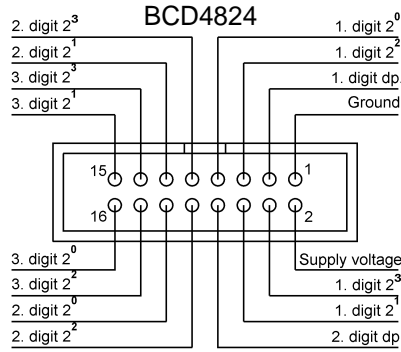
Wall thickness max. 5mm
 mounting space at side min. 6mm

Dimensions [mm]

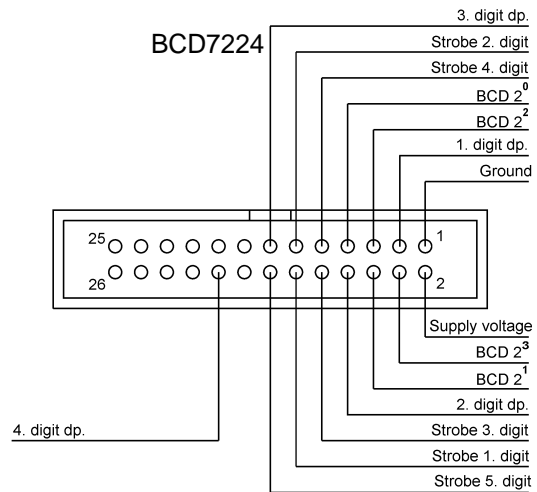
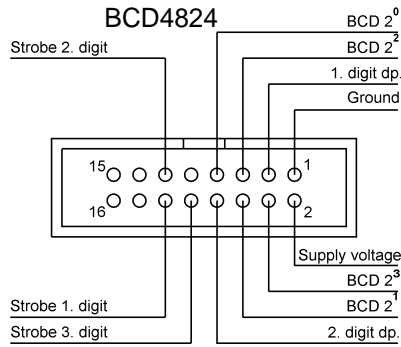
	A	B	C	D
BCD4824	48	24	44	21
BCD7224	72	24	68	21

Connection diagram (rear view)

Input parallel



Input Multiplex



Multiplex input:

Strobe line = LOW, display will be stored

Strobe line = HIGH, BCD input values will be written to the display

Connection cable BCD4824 (16-pole)

Input Parallel	Input Multiplex	Cable color
Supply voltage	Supply voltage	brown
GND	GND	white
1. digit 2 ⁰	BCD 2 ⁰	wblue
1. digit 2 ¹	BCD 2 ¹	pink
1. digit 2 ²	BCD 2 ²	grey
1. digit 2 ³	BCD 2 ³	yellow
1. digit DP	1. digit DP	green
2. digit 2 ⁰	Strobe 1. digit	red-wblue
2. digit 2 ¹	Strobe 2. digit	grey-pink
2. digit 2 ²	Strobe 3. digit	violet
2. digit 2 ³		black
2. digit DP	2. digit DP	red
3. digit 2 ⁰		yellow-brown
3. digit 2 ¹		white-yellow
3. digit 2 ²		brown-green
3. digit 2 ³		white-green

BCD7224 (26-pole)

Input Parallel	Input Multiplex	Cable color
Supply voltage	Supply voltage	brown
GND	GND	white
1. digit 2 ⁰	BCD 2 ⁰	wblue
1. digit 2 ¹	BCD 2 ¹	pink
1. digit 2 ²	BCD 2 ²	grey
1. digit 2 ³	BCD 2 ³	yellow
1. digit DP	1. digit DP	green
2. digit 2 ⁰	Strobe 1. digit	red-wblue
2. digit 2 ¹	Strobe 2. digit	grey-pink
2. digit 2 ²	Strobe 3. digit	violet
2. digit 2 ³	Strobe 4. digit	black
2. digit DP	2. digit DP	red
3. digit 2 ⁰		white-grey
3. digit 2 ¹		yellow-brown
3. digit 2 ²		white-yellow
3. digit 2 ³	Strobe 5. digit	brown-green
3. digit DP	3. digit DP	white-green
4. digit 2 ⁰		brown-wblue
4. digit 2 ¹		white-wblue
4. digit 2 ²		pink-brown
4. digit 2 ³		white-pink
4. digit DP	4. digit DP	grey-brown
5. digit 2 ⁰		brown-black
5. digit 2 ¹		white-black
5. digit 2 ²		brown-red
5. digit 2 ³		white-red

Ordering code

BCD 1. 2. 3. 4. 5.
□ - □ - □ - □ - □

1. Device type

4824

7224

2. Display

1 LED red 10 mm

2 LED green 10 mm

3 LED red 14.2 mm

4 LED green 14.2 mm

3. Supply voltage

5 10 ... 30 V DC

7 5 V DC

4. Inputs

1 0 ... 3 V DC low, 10 ... 30 V DC high, parallel

2 5 V TTL-Level, parallel

3 0 ... 3 V DC low, 10 ... 30 V DC high, multiplex

4 5 V TTL-Pegel, multiplex

5. Protection

1 IP 54 (Standard)

2 IP 65

Accessories

Ordering code

AK16K-AE-3 Adapter cable 16x0,25 mm² length 3 m

AK16K-AE-10 Adapter cable 16x0,25 mm² length 10 m

AK16K-AE-20 Adapter cable 16x0,25 mm² length 20 m

AK26K-AE-3 Adapter cable 26x0,25 mm² length 3 m

AK26K-AE-10 Adapter cable 26x0,25 mm² length 10 m

AK26K-AE-20 Adapter cable 26x0,25 mm² length 20 m