

Flow welding-fitting DFA 50

For mounting of inductive conductivity probes with process connection DN50

Features

- WHG and FDA-conform
- Pre-finished for inductive cells with Process connection DN50
- For in pipes from DN50 ... DN100
- Medium temperature -20 ... 180 °C
- Max. pressure 20 bar
- Material stainless steel 1.4404 (AISI 316L) polished

Build-in factor	DN50	DN65	DN80	DN100
Clamp, Pipe thread, Milk pipe	0.978	0.99	0.995	0.998

For the best result of measurement it is possible to enter the build-in factor in the Conductivity Converter UNICON-LFi.



Ordering code: DFA50 - 1. - 2. - 3. - 4.

1. Nominal diameter pipe system [DN]

- 50 (only Clamp and milkpipe)
- 65
- 80
- 100

2. Process connection (welded)

- 40 Clamp-connection DN50 acc. to DIN 32676, seal FKM (Viton®)
- 60 Pipe thread G2A (seal customize)
- 70 Milk pipe connection DN50 acc. to DIN 11851 seal FKM (Viton®)

3. Options

- 00 without option

Accessories

- CVK-DN50 Hinge clamp DN50 DIN 32676, Material 1.4301
- NWM-DN50 Slot nut DN50 DIN 11851, Material 1.4404

Dimensions next page

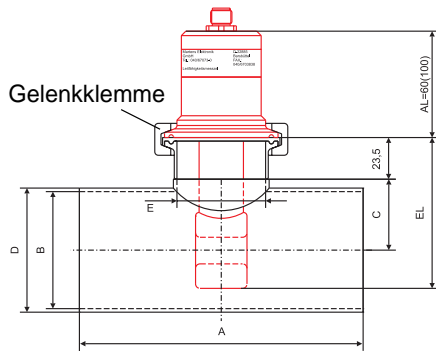
Custom models on request

DFA 50

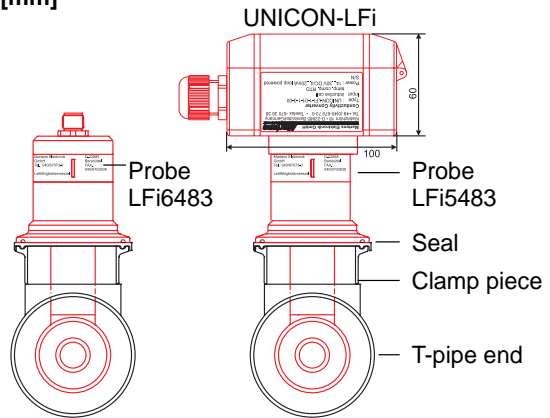
Dimensions [mm]

Clamp-connection DIN 32676

DFA50-XX-40

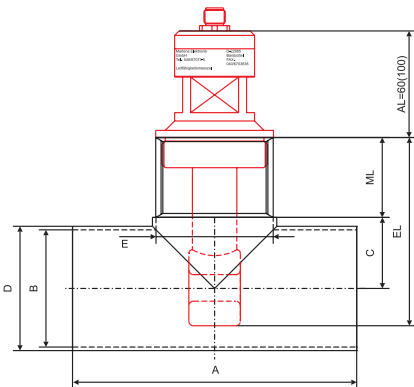


T-pipe end	A	B	C	D	E	EL
DN50	140	50	30	53	50	74
DN65	160	66	40	70	50	84
DN80	180	81	47,5	85	50	92
DN100	200	100	58	104	50	102

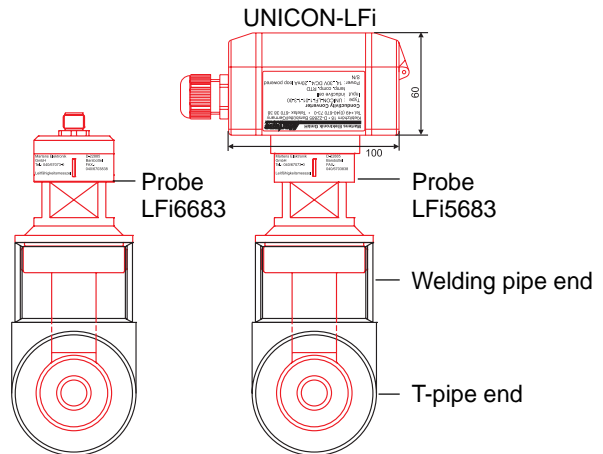


Pipe thread G2A

DFA50-XX-60

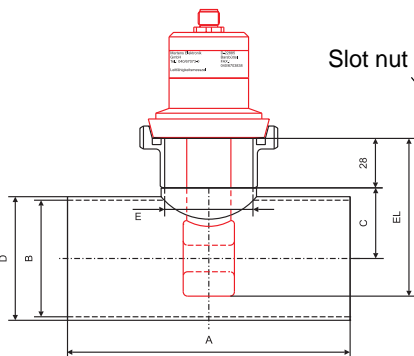


T-pipe end	A	B	C	D	E	EL	ML
DN65	160	66	40	70	66	106	45
DN80	180	81	47,5	85	66	106	37
DN100	200	100	58	104	66	106	27



Milk pipe DIN 11851

DFA50-XX-70



T-pipe end	A	B	C	D	E	EL
DN50	140	50	30	53	50	79
DN65	160	66	40	70	50	89
DN80	180	81	47,5	85	50	97
DN100	200	100	58	104	50	107

