

Monitoring Relay GS 500

Input for Standard signals 0/4 ... 20 mA and 0/2 ... 10 V DC

Features

- Output 1 relay SPDT, limit contact
- High(HI) or low (LO) alarm switch selectable
- Hysteresis (dead band) adjustable 1 ... 25 %
- Time delay adjustable 0.1 ... 8 Sek.
- Supply voltage 230 V AC or 24 V DC
- Indicating LED for setpoint LED
- Full 3-port isolation
- Power-on LED
- 22.5 mm case for TS35 DIN rail mounting



General information

The GS500 can be used for monitoring physical processes presented as industry standard signal. Limit value can be set from 0 ... 100%

Short information

Configuration Input 0/4...20mA and 0/2...10V DC and switching performance (high or low) are switch selectable.

Output Adjustable time delay prevents faulty switching released from inrush currents or voltage spikes on the input signal. The adjustable hysteresis rejects little fluctuations of the input signal.

Technical data

Power supply

Supply voltage	: 230 V AC \pm 10 % or 24 V DC -30/+40 %
Frequency AC	: 47 ... 63 Hz
Power consumption	: <3 VA
Operating temperature	: -10 ... +50 °C (14 ... 122°F); -25 ... +70 °C (-13 ... 158°F) on request
Rated voltage	: 250V~ acc to VDE 0110 group 2 between input/output/supply voltage
Test voltage	: 4kV= between input/output/supply voltage
CE - conformity	: EN55022, IEC61000-4-3/4/5/11/13, EN60555

Input

Repeatability	: \leq 0.1 %
Temperature coefficient	: \leq 0.01 %/K
Current input	
Current range	: 0 ... 20 mA/4 ... 20 mA switch selectable
Input resistance	: 125 Ω
Overload	: 2-times, 4-times max. 5 seconds
Voltage input	
Voltage range	: 0 ... 10 V/2 ... 10 V DC switch selectable
Input resistance	: 40 K Ω
Overload	: max. 100 V DC

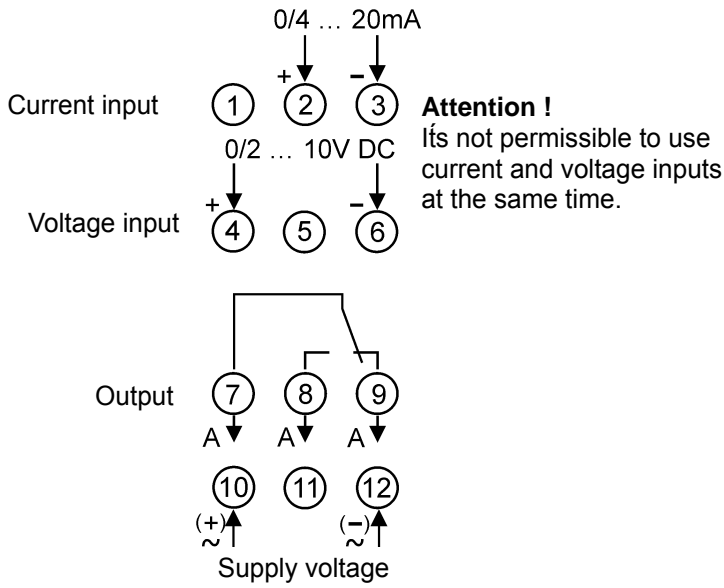
Output

Limit relay	: 250 V AC < 250 V A < 2 A; 100 V DC < 50 W < 1 A
Relay actuation	: high/low switch selectable
Hysteresis	: 1 ... 25 %
Delay time	: 0.1 ... 8 sec.

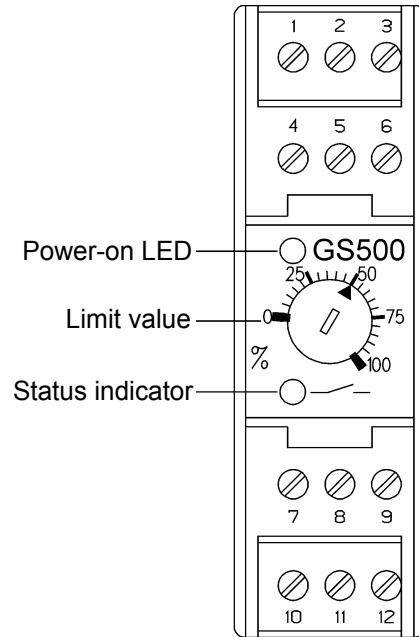
Case

Case	: standard case of polycarbonate 8020 UL94V-1
Weight	: approx. 200 g
Connection	: screw terminals with pressure plate, max. 2.5 mm ² wire
Protection	: case IP30, terminals IP20, finger safe acc. to German BGV A3

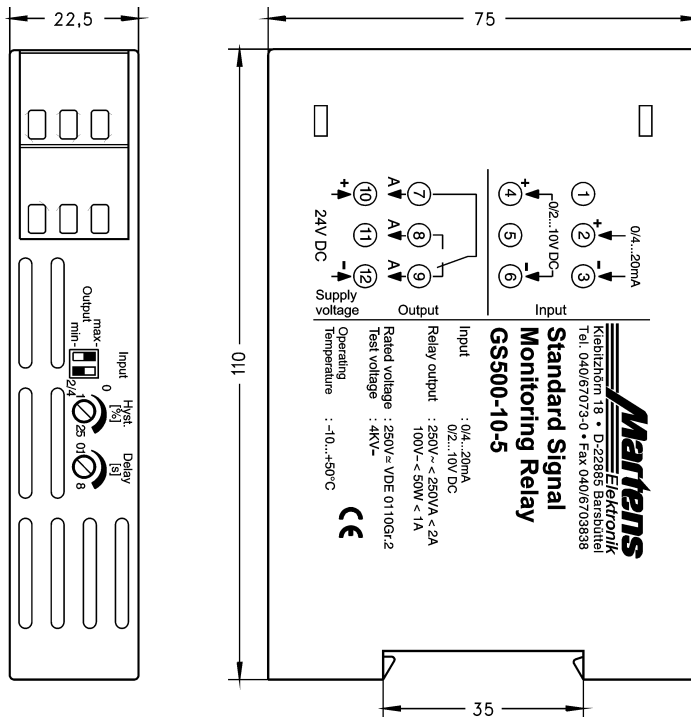
Connection diagram



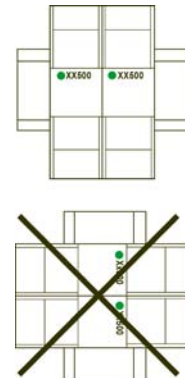
Controls



Dimensions



Caution!
 Mounting of multiple units without distance is only permitted in horizontal orientation.



TS35 DIN rail mounting
 acc. to DIN 46277 and DIN EN 50022

Ordering code

GS500 - -

1. Measuring range

10 Standard device
0/4 ... 20 mA and 0/2 ... 10 V DC

2. Supply voltage (other voltages on request)

0 230 V AC ±10 %
5 24 V DC -30/+40 %