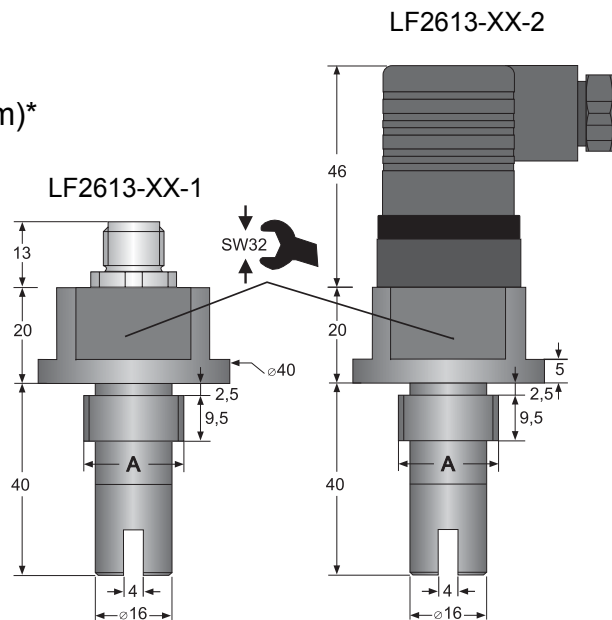


2-Electrode Conductivity-Cell LF 2613

Conductive screw-in cell for drinking water

Features

- Measuring range from 0 ... 100 $\mu\text{S}/\text{cm}$ up to 0 ... 2 mS/cm (10 mS/cm)*
 - Cell constant $C = 0.9 \pm 3.5 \%$
 - Operating temperature 0 ... 60 °C (32 ... 140 °F)
 - Temperature measurement with integrated Pt1000 sensor acc. to DIN IEC 751
 - Pressure range max. 16 bar at 22 °C (71.6 °F)
 - Material Polyvinyl chloride PVC-U acc. to DIN 8061/8062 (German WHG), graphite (electrodes)
 - 8-pole connector plug, brass nickel plated IP67 or 4-pol. angle entry plug acc. to DIN 175301-803/A, IP65
- * lower accuracy



Ordering code:

LF2613 - C0.9 - 1. - 2. - 3.

1. Process connection (A)

G 1/2A cylindrical thread
 R 1/2 conical thread
 G 3/4A cylindrical thread
 R 3/4 conical thread

2. Electrical connection

1 8-pole connector plug
 2 4-pole angle entry plug acc. to DIN 175301-803/A

Connection diagram

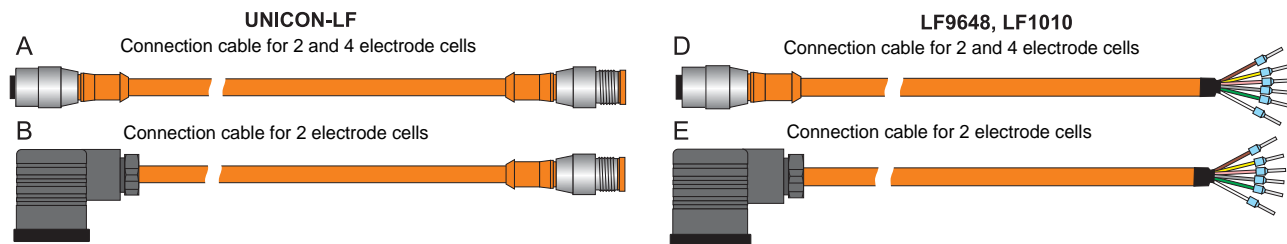
A and D
 B and E

3. Option

00 without option
 03 8-pol. connector plug stainless steel 1.4571

.Accessories and connection diagrams see next pages.
 .Custom models on request.

Accessories for conductivity measurement



A Connection cable to connect 2- and 4-electrode-cells at UNICON-LF field case, 8-pole cable socket and 8-pole cable plug brass plated, PU-cable

SKM8-02	2 m	IP67
SKM8-05	5 m	IP67
as before, but plug stainless steel 1.4571, PVC-cable		
SKM8-02-VA	2 m	IP67
SKM8-05-VA	5 m	IP67

B Connection cable to connect 2-electrode-cells at UNICON-LF field case, 4-pole L-connector acc. to DIN EN 175301-803/A and 8-pole cable plug brass plated, PU-cable

SKM4B-02	2 m	IP65
SKM4B-05	5 m	IP65
as before, but 8-pole plug stainless steel 1.4571, PVC-cable		
SKM4B-02-VA	2 m	IP65
SKM4B-05-VA	5 m	IP65

D Connection cable to connect conductivity-cells at conductivity meter LF9648, LF1010 8-pole cable socket brass plated and 6-pole pigtail PU-cable

SKM8E-02	2 m	IP67
SKM8E-05	5 m	IP67
SKM8E-10	10 m	IP67
SKM8E-25	25 m	IP67
as before, but with 8-pole cable socket stainless steel 1.4571 PVC-cable		
SKM8E-02-VA	2 m	IP67
SKM8E-05-VA	5 m	IP67
SKM8E-10-VA	10 m	IP67
SKM8E-25-VA	25 m	IP67

E Connection cable to connect 2-electrode-cells at conductivity meter LF9648, LF1010, 4-pole L-connector acc. to DIN EN 175301-803/A and 6-pole pigtail, PU-cable

SKM4E-02	2 m	IP65
SKM4E-05	5 m	IP65
SKM4E-10	10 m	IP65
SKM4E-25	25 m	IP65

Reference solutions for calibration (250 ml) conductivity [mS/cm] at 25 °C

REF-LF-0001	0.147
REF-LF-0010	1.413
REF-LF-0100	12.88
REF-LF-1000	111.8

Reference solution for calibration acc. to **USP<645>** (1000 ml)
EC23.8 Conductivity 23.8 μ S/cm at 25 °C



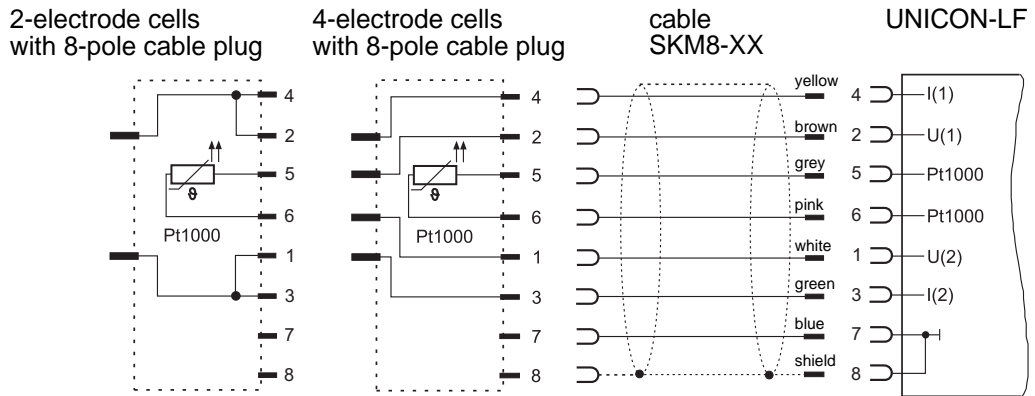
Precision-Thermometer Measuring range 17.0 ... 35.0 °C Scale 0.05 °C Accuracy \pm 0.1 °C
N63802



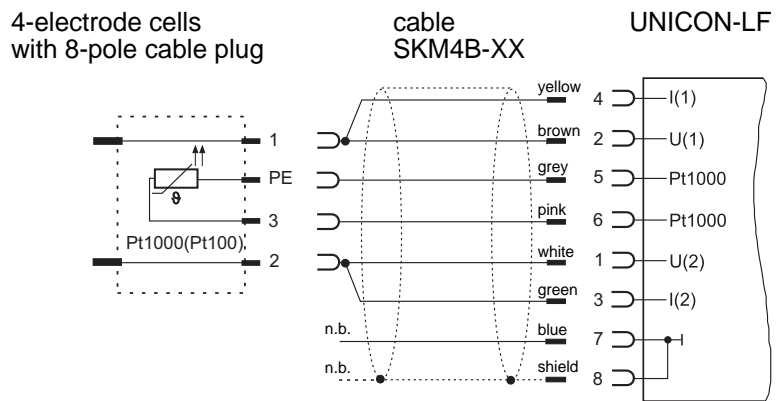
Connection diagrams

Connection at UNICON-LF Field case

A



B

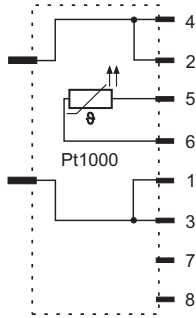


Connection diagrams

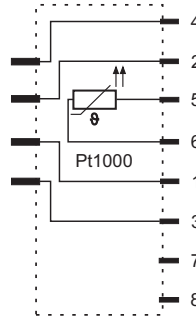
Connection at conductivity meter LF9648, LF1010

2-electrode cells
with 8-pol coupler plugs

D

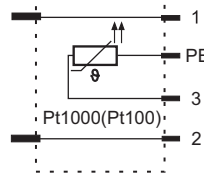


4-electrode cells
with 8-pole coupler plug

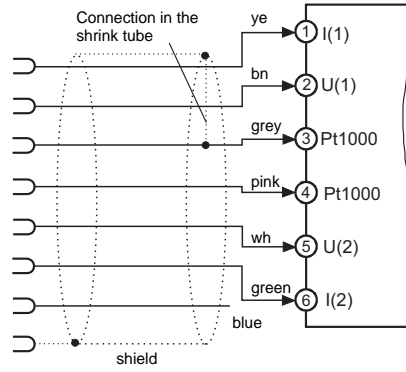


2-electrode cells
with 4-pole angle entry plug

E

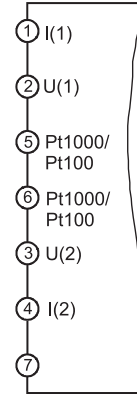


cable
SKM8-XX

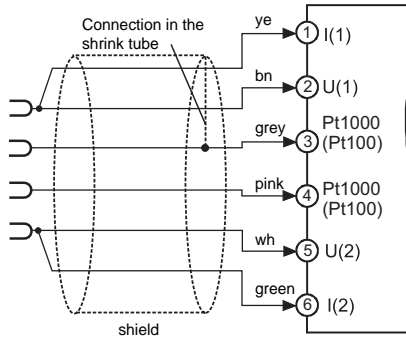


LF9648

LF1010



cable
SKM4E-XX



LF9648

LF1010

