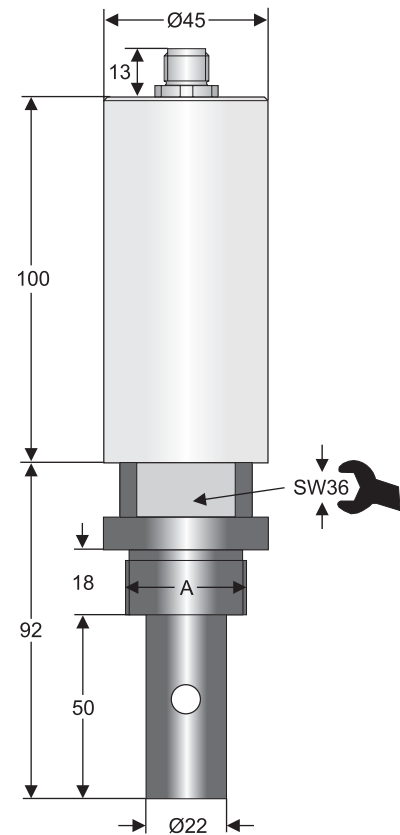


2-Electrode Conductivity-Probe LF 2653HT

High temperature probe for pur- and ultrapure water measurement

Features

- WHG conform
- Measuring range from 0 ... 0.500 $\mu\text{S}/\text{cm}$ to 0 ... 50 $\mu\text{S}/\text{cm}$
- Cell constant $C = 0.1$, exact cell constant labelled on the type plate
- Operating temperature 0 ... 200 °C
- Max. pressure 20 bar
- Temperature measurement with integrated Pt1000 sensor acc. to DIN IEC 75, class A
- Material PTFE, stainl. steel 1.4404 (AISI316L), ceramic
- Electrical connection 8-pole connector plug brass nickel plated IP67



Ordering code: LF 1. - C0.1 - 2. - 3.

- 1. Model**
2653HT for field mounting
- 2. Process connection (A)**
G 3/4 A for process thread G 3/4 A
G 1 A for process thread G 1 A
G 1 1/4 A for process thread G1 1/4 A
- 3. Options**
00 without option
03 8-pole plug stainless steel 1.4571

Custom models on request.