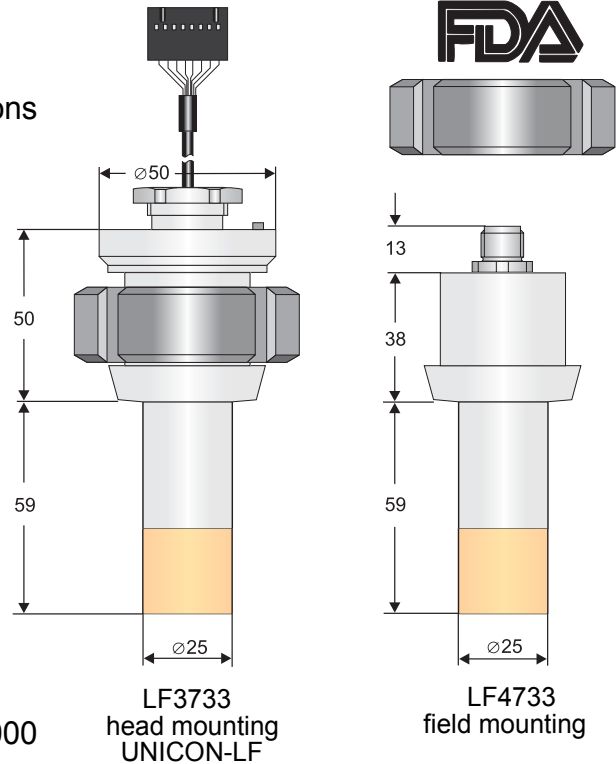


## 4-Electrode Conductivity-Cell LF 3733/LF 4733

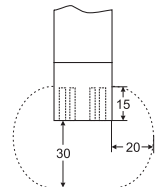
Hygienic cell for milk pipe fittings acc. to DIN 11887

### Features

- WHG and FDA conform
- Used in food and chemical industry applications
- Measuring range from 0 ... 20  $\mu\text{S}/\text{cm}$  up to 0 ... 500  $\text{mS}/\text{cm}$
- Cell constant  $C = 0.4$ , exact cell constant labelled at the type plate
- Operating temperature  $-10 \dots 120 \text{ }^\circ\text{C}$  ( $14 \dots 248 \text{ }^\circ\text{F}$ )
- Steam sterilisation 5h at  $140 \text{ }^\circ\text{C}$  ( $284 \text{ }^\circ\text{F}$ )
- Pressure range max. 10 bar at  $20 \text{ }^\circ\text{C}$  ( $68 \text{ }^\circ\text{F}$ )
- Insensitive against soiling
- No influence from polarisation effects and line resistance
- Temperature measurement with integra. Pt1000 sensor acc. to DIN IEC 751, class A
- Process contact material PEEK, PVDF, stainless steel 1.4404 (AISI316L), graphite, seal EPDM with FDA certification
- Electrical connection  
 LF3733, flat cable connector (only head mounting UNICON-LF)  
 LF4733, 8-pol. connector plug brass nickel plated, IP67



**Note:**  
 Cell constant must be checked again, if free space is less than illustrated.



### Ordering code:

LF  1. - C0,4 -  2. -  3.

#### 1. Ausführung

3733 Head mounting UNICON-LF  
 4733 Field mounting connection diagram A and D

#### 2. Process connection (inkl. slot nut stainless steel 1.4301)

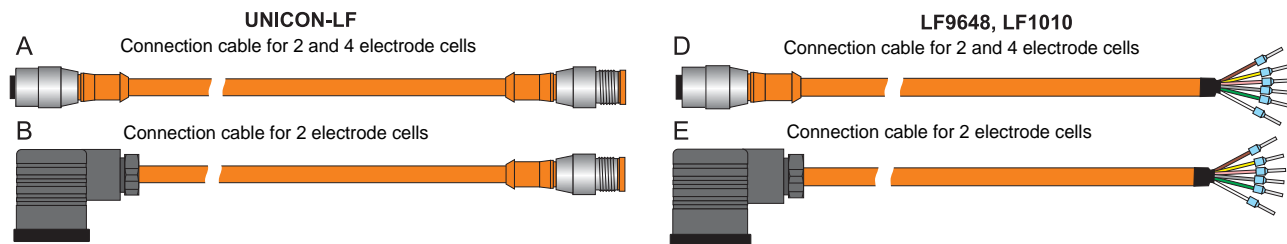
DN25  
 DN40  
 DN50  
 DN65

#### 3. Options

00 without option  
 03 8-pole connector plug, stainless steel 1.4571

Additional accessories and connection diagrams next pages.  
 Custom models on request.

## Accessories for conductivity measurement



**A Connection cable** to connect 2- and 4-electrode-cells at UNICON-LF field case, 8-pole cable socket and 8-pole cable plug brass plated, PU-cable

SKM8-02	2 m	IP67
SKM8-05	5 m	IP67
as before, but plug stainless steel 1.4571, PVC-cable		
SKM8-02-VA	2 m	IP67
SKM8-05-VA	5 m	IP67

**B Connection cable** to connect 2-electrode-cells at UNICON-LF field case, 4-pole L-connector acc. to DIN EN 175301-803/A and 8-pole cable plug brass plated, PU-cable

SKM4B-02	2 m	IP65
SKM4B-05	5 m	IP65
as before, but 8-pole plug stainless steel 1.4571, PVC-cable		
SKM4B-02-VA	2 m	IP65
SKM4B-05-VA	5 m	IP65

**D Connection cable** to connect conductivity-cells at conductivity meter LF9648, LF1010 8-pole cable socket brass plated and 6-pole pigtail PU-cable

SKM8E-02	2 m	IP67
SKM8E-05	5 m	IP67
SKM8E-10	10 m	IP67
SKM8E-25	25 m	IP67
as before, but with 8-pole cable socket stainless steel 1.4571 PVC-cable		
SKM8E-02-VA	2 m	IP67
SKM8E-05-VA	5 m	IP67
SKM8E-10-VA	10 m	IP67
SKM8E-25-VA	25 m	IP67

**E Connection cable** to connect 2-electrode-cells at conductivity meter LF9648, LF1010 , 4-pole L-connector acc. to DIN EN 175301-803/A and 6-pole pigtail, PU-cable

SKM4E-02	2 m	IP65
SKM4E-05	5 m	IP65
SKM4E-10	10 m	IP65
SKM4E-25	25 m	IP65

**Reference solutions** for calibration (250 ml) conductivity [mS/cm] at 25 °C

REF-LF-0001	0.147
REF-LF-0010	1.413
REF-LF-0100	12.88
REF-LF-1000	111.8

**Reference solution** for calibration acc. to **USP<645>** (1000 ml)  
EC23.8 Conductivity 23.8  $\mu$ S/cm at 25 °C



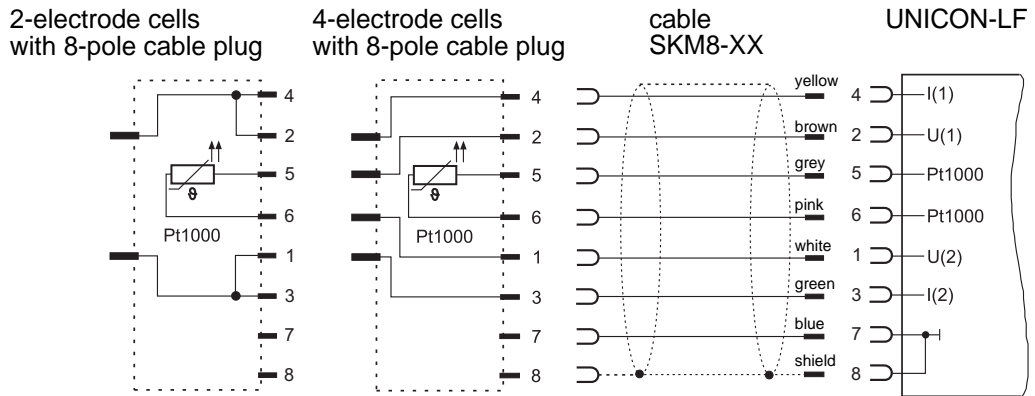
**Precision-Thermometer** Measuring range 17.0 ... 35.0 °C Scale 0.05 °C Accuracy  $\pm$ 0.1 °C  
N63802



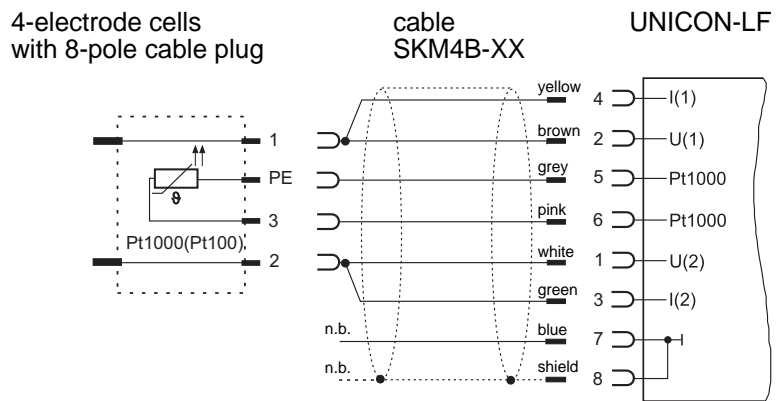
# Connection diagrams

## Connection at UNICON-LF Field case

A



B

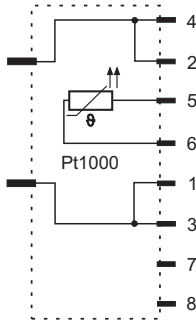


## Connection diagrams

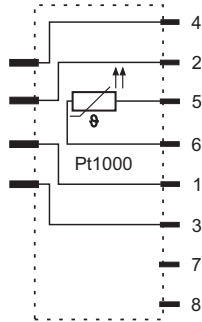
### Connection at conductivity meter LF9648, LF1010

2-electrode cells  
with 8-pol coupler plugs

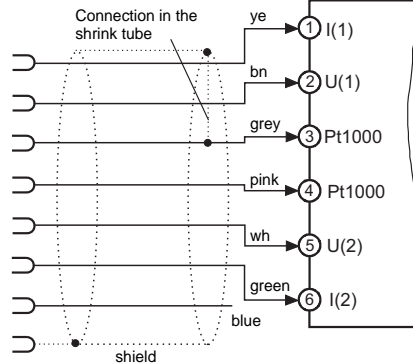
D



4-electrode cells  
with 8-pole coupler plug

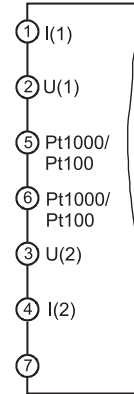


SKM8-XX  
cable



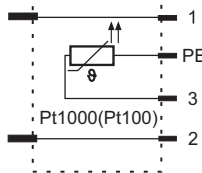
LF9648

LF1010

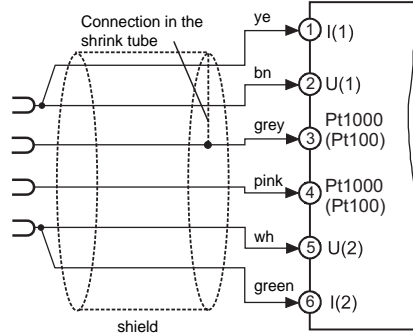


2-electrode cells  
with 4-pole angle entry plug

E



SKM4E-XX  
cable



LF9648

LF1010

