

Level sensor LK 10

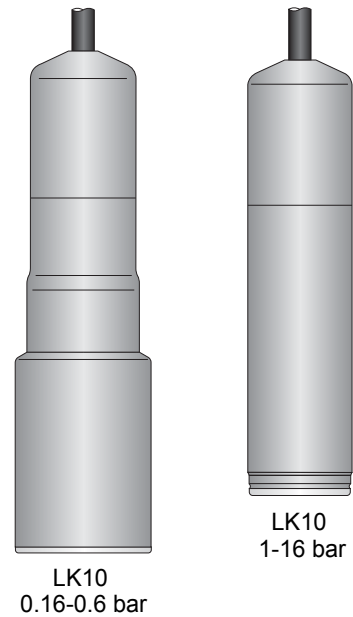
Niveau measurement in chemical- and sewage technology

Features

- Measuring range from 0... 0.16 bar up to 0 ... 16 bar relative
- Output 4 ... 20 mA. loop powered
- Accuracy 0.35 %
- Flush diaphragm with Parylene cover
- Max. Medium temperature 0 ... 50 °C
- Supply voltage 12 ... 36 V DC
- PUR or FEP cable *
- Sensor sheath PVC, seal Viton ® **
- Protection IP68, sea water resistant
- * PUR-cable → Diesel oil, fuel oil, rape oil, carbonic acid
- FEP-cable → Chem. aggressive liquids, acid, caustic solution
 heavy loaded wastewater, sewage technology
 (ferric-III-chloride)

Mounting note: doñt squeeze connection cable (pressure compensation)

** Viton is a registered trademark of Dupont



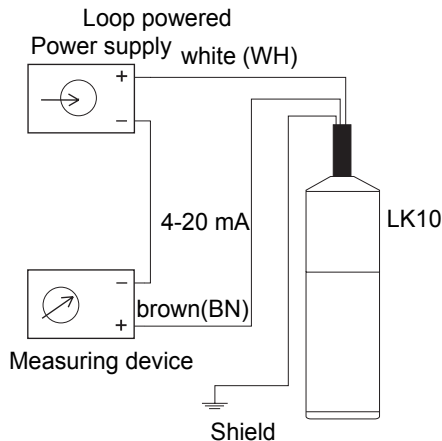
Ordering code: LK10 - 1. - 2. - 3. - 4.

1. **Output**
 2 4 ... 20 mA
2. **Measuring range [bar]** (please state in plain text)
 0.16 / 0.25 / 0.4 / 0.6 Case Gr. 1
 1 / 1.6 / 2.5 / 4 / 6 / 10 / 16 Case Gr. 2
3. **Cable type**
 1 PUR (Standard) each m
 2 FEP each m
4. **Cable length [m]** (please state in plain text)

Accessories

- ASK Anchor clamp (Steel zinc plated, see LS10)
- ASK-E Anchor clamp (Stainless steel 1.4571, see LS10)

Connection diagram



Dimensions

