

# Graphic display series migra SC/MC

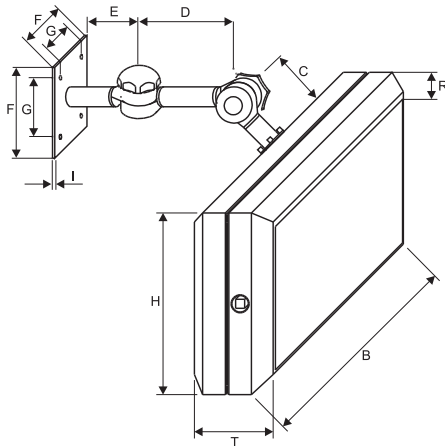
## Dot-matrix display. single or multi colour

### Features

- LED-dot-matrix
- Character size each module  
 Pixel size 3 mm, Character height 30-40-55 mm  
 Pixel size 5 mm, character height 50-75-100 mm
- SC: Standard red,  
 MC: multi colour red/yellow/green
- up to 320 characters, depending on character height
- 1 or 2 display pages (on request)
- ASCII-character-set, graphic mode
- Inputs: Profibus, AS-Interface or Ethernet
- Supply voltage 230V AC; 24V DC ±20%
- Case Aluminium RAL 7016 (anthracite)
- Protection IP 54 or IP 65
- Wall mounting, sealing mounting
- Operating temperature 0 ... 50 °C



### Dimensions migra



	mm
C	60
D	110
E	74
F	100
G	70
I	7
R	21
T	87

Dimension table SC/MC 3 mm pixel size [mm]

Y-orientation ↓	X-orientation →	1 module		2 modules		3 modules		4 modules	
		H	W	H	W	H	W	H	W
1 module		202	368	202	620	202	920	202	1150
2 modules		238	368	238	620	238	920	238	1150
3 modules		280	368	280	620	280	920	280	1150
4 modules		338	368	338	620	338	920	338	1150

Dimension table SC/MC 5 mm pixel size [mm]

Y-orientation ↓	X-orientation →	1 module		2 modules		3 modules		4 modules	
		H	W	H	W	H	W	H	W
1 module		202	620	202	1080	202	1559	202	2047
2 modules		338	620	338	1080	338	1559	338	2047
3 modules		448	620	448	1080	448	1559	448	2047
4 modules		571	620	571	1080	571	1559	571	2047

### Module resolution

Pixel size	row	No. of characters	character height [mm]
3 mm	2	10	30
	1 ½	9	40
	1	5	55
5 mm	2	10	50
	1 ½	9	75
	1	5	100

Ordering code: migra -  1. -  2. -  3. -  4. -  5. -  6. -  7. -  8.

**1. Display 1 basic modul**

- SC-3 3 mm single colour red (indoor mounting)
- MC-3 3 mm multi colour red/yellow/green (indoor mounting)
- SC-5 5 mm single colour red (indoor mounting)
- MC-5 5 mm multi colour red/yellow/green (indoor mounting)

**2. Extended modules** (1 module = 64x16 Pixel, WxH)

Every 16 modules is one basic module necessary.  
 The maximum of modules is unlimited.

**3. Module position**

Please state in cleartext,  
 (example: 1x4 = 1 line with 4 modules; 2x3 = 2 lines with 3 modules)  
 for each 4x4 modules, 1 basic module is necessary

**4. Input**

- 0 Impulse counter
- 1 A/D-converter
- 3 Serial RS 485
- 4 Profibus DP, incl. cable plug
- 5 Ethernet TCP/IP
- 6 AS-Interface
- B Radio controlled clock DCF77
- D Modbus RTU
- E WLAN

**5. Supply voltage**

- 0 230 V AC 50Hz
- 5 24 V DC ±20%

**6. Protection**

- 0 IP54
- 1 IP65

**7. Mounting**

- 1 Multi hinge \*
- 2 Mounting angle \*
- 3 Suspension eyes for chains

**8. Options**

- 00 without option
- 03 Heating with temperature controller
- 06 Sensor for display brightness (only SC-5, MC-5)

\* 2 multi hinge/mounting angle are necessary for more than 2 modules in line  
 3 multi hinge/mounting angle are necessary for more than 3 modules in line

**Other devices on request.**

For each 4x4 modules. 1 basic module is necessary

