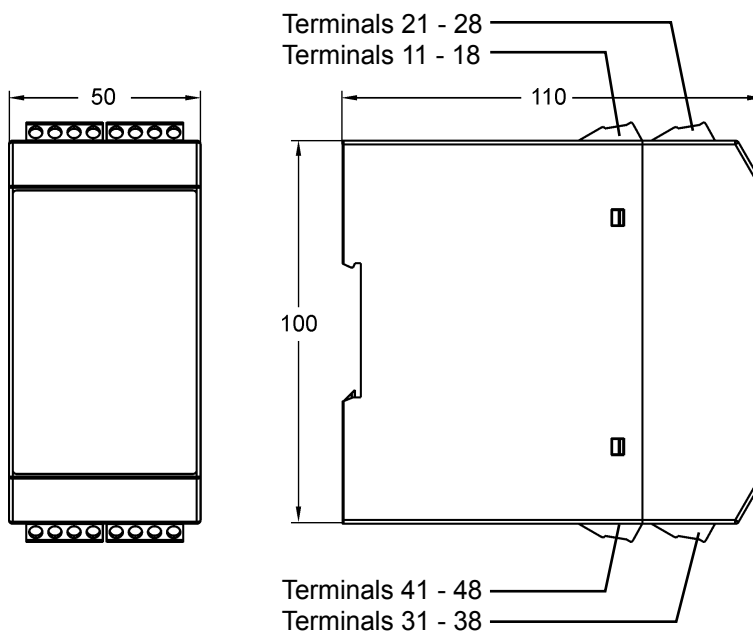
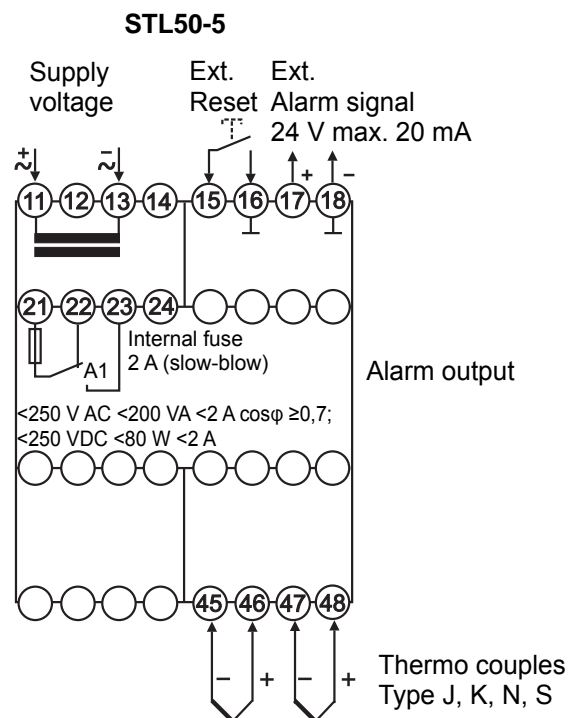
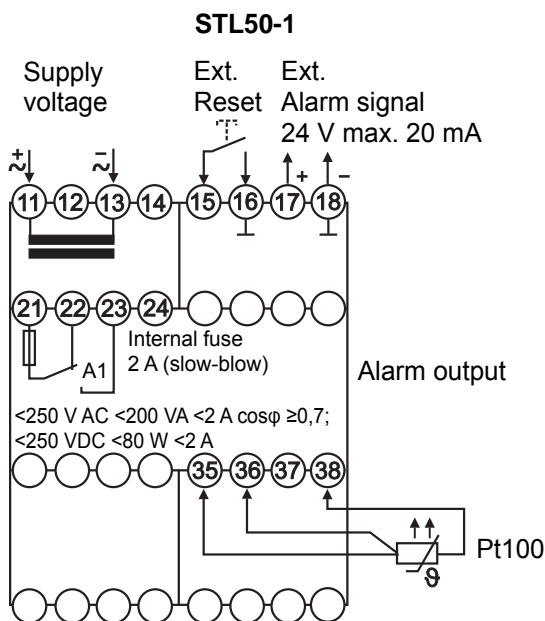


Dimensions



Connection diagram



⚠ Input Pt100:

The maximum line resistance may not exceed 4 Ω each line. The corresponding line length for copper is stated in the table.

For other cable materials and cross sections, the values must be new calculated.

Max. cable length for copper cable

Cross section	max. length
0.14 mm ²	32 m
0.25 mm ²	58 m
0.5 mm ²	116 m
0.75 mm ²	174 m
1 mm ²	232 m
1.5 mm ²	348 m

