

Isolating Signal Converter TV 500-Ex ...with integr. transmitter supply ST 500-Ex



Features

- Switch-selectable inputs
0/4 ... 20 mA and 0/2 ... 10 V DC
intrinsically safe ATEX II (1) G [Ex ia] IIC
ATEX II (1) D [Ex iaD]
- Switch-selectable outputs
0/4 ... 20 mA simultaneous 0/2 ... 10 V DC
- Supply voltage 85 ... 253 V AC or
10 ... 30 V AC/DC
- Full 3-port isolation
- Integrated transmitter supply
for active 2- and 3-wire sensors
(ST500-Ex only)
- Power-on LED
- 22.5 mm case for DIN rail mounting



General information

The isolating signal converter can be used to isolate industry standard signals 0/4 ... 20 mA or 0/2 ... 10 V DC out of the Ex area. The universal design of the in- and outputs and the wide range of supply voltage limits the devices into 2 models. The ST500Ex provides an isolated transmitter supply for direct connection of active 2-wire sensors (4 ... 20 mA) and 3-wire sensors in the Ex-area.

Short information


Ex-i inputs	The connected devices need to be certified depending on the operation-place.
Current output	Max. burden 1 kΩ for direct driving of proportional 20 mA valves.
Multi-range	Inputs and outputs are configurable between 0/4...20 mA and 0/2...10 V by DIP-switches on the front panel.

Technical data

Power supply

Supply voltage	: 85 ... 253 V AC/110 ... 125 V DC or 10 ... 30 V AC/DC
Frequency	: 40 ... 400 Hz
Power consumption	: < 3.5 VA
Operating temperature	: -10...55 °C (14 ... 131 °F)
Rated voltage	: 253 V AC or 125 V DC (U _m) acc. EN 60079-0, 250 V AC acc. to EN 60664-1, degree of pollution 2, over-voltage category III between input/output/supply voltage
Test voltage	: 3 kV AC between input/output/supply voltage
CE-conformity	: ATEX-directive 94/9/EG, <i>European standard</i> :
(Certificate ST500ATEX.002):	EN60079-0:2006, EN60079-11:2007, EN61241-0:2006, EN61241-11:2006 EN61316-1:2004-05, EMV-directive 2004/108/EG

Explosion protection

Certification	: TÜV 97 ATEX 1150, 2. addendum
Protection	:  II (1) G [Ex ia] IIC, II (1) D [Ex iaD]
U ₀	: 25.2 V
I ₀	TV500Ex : 1 mA
	ST500Ex : 95 mA
P ₀	TV500Ex : < 1 mW (curve linear)
	ST500Ex : 600 mW (curve linear)

Area classification Ex ia		IIC		IIB	
L ₀	TV500Ex	100 mH	0,5 mH	100 mH	0,5 mH
	ST500Ex	2 mH	0,2 mH	15 mH	1 mH
C ₀	TV500Ex	84 nF	100 nF	460 nF	570 nF
	ST500Ex	47 nF	107 nF	370 nF	430 nF

The effective internal capacitances C_i and inductances L_i are negligibly small.

The maximum values of C₀ and L₀ are also allowed to be used up to the permissible limits as concentrated capacitances and as concentrated inductances (mixed circuits).

The intrinsically safe circuits are galvanically separated from the non intrinsically safe circuits up to a peak values of the voltage of 375 V.

Inputs

Current input	: 0/4 ... 20 mA switch selectable, R _i = 25 Ω, overload max. 100 mA
Voltage input	: 0/2 ... 10 V DC switch selectable, R _i ca. 40 kΩ, overload max. 100 V
Span and	: adjustable approx. +/-20 %
Start value	4 mA/2 V

Transmitter supply : approx. 20 V DC, R_i approx. 300 Ω (ST500-Ex only)

Short circuit (Term. 1, 2) : output current < 27 mA

Outputs

Current output	: 0/4 ... 20 mA switch selectable, max. burden 1kΩ
Voltage output	: 0/2 ... 10 V DC switch selectable, max. load 15mA, short circuit protected (simultaneous to current outp. max. 5mA)

Rated voltage : 253 V AC or 125 V DC (U_m) acc. to EN 60079-0
max. permissible short circuit current of the apparatus at the output 2 A

Rise time (T₉₀) : < 100ms

Accuracy : ≤ 0.3%

Temperature coefficient : ≤ 0.01%/K

Repeat accuracy : < 0.1%

Supply error : < 0.1%

Malfunction current output 4 ... 20 mA, both DIP-switches on:

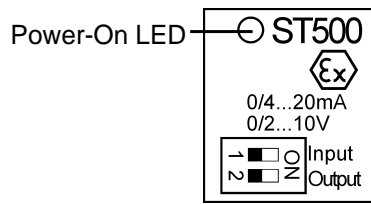
- break of wire : output current < 2.5 mA

- shorted wire : output current > 23 mA

Case

Type	: DIN rail case of polycarbonate 8020 UL94-V1
Weight	: approx. 200 g
Protection	: case IP30, terminals IP20 finger safe acc. German BGV A3
Connection	: screw terminals with pressure plate, max. 2,5 mm ² wire
Mounting place	: mounting in dry, clean and well monitored area acc to EN60079-11:2007, part 6.1

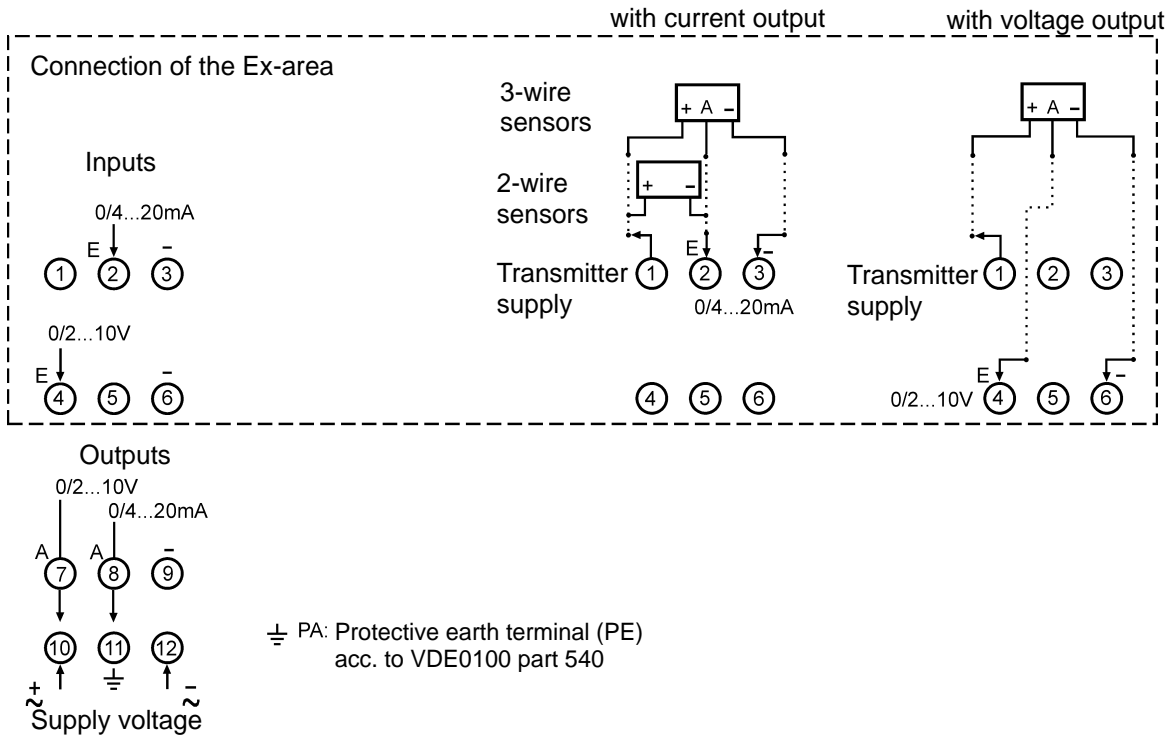
Front panel controls (front)



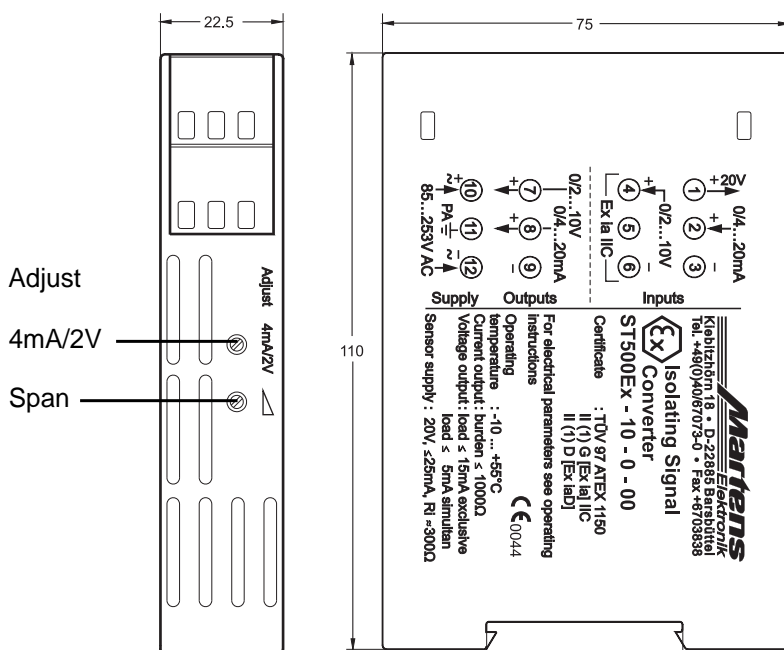
DIP-switch	0 ... 20 mA	4 ... 20 mA
	0 ... 10 V	2 ... 10 V
Input	S1 OFF	S1 ON
Output	S2 OFF	S2 ON

Connection diagram Converter TV500-Ex

Converter ST500-Ex Connection of sensors

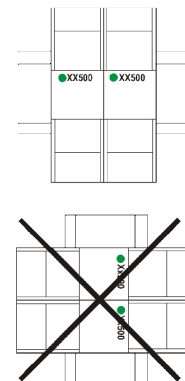


Dimensions and controls (narrow side)



Caution!

Mounting of multiple units without distance is only permitted in horizontal orientation.



TS35 DIN rail mounting
acc. to DIN 46277 and DIN EN 50022

Ordering code

1. 2. 3. 4.
□ - □ - □ - □

- 1. **Device type**
TV500Ex Isolating signal converter
ST500Ex Power feed signal converter
- 2. **Measuring range**
10 Inputs 0/4 ... 20 mA and 0/2 ... 10 V DC
 Outputs 0/4 ... 20 mA and 0/2 ... 10 V DC
- 3. **Supply voltage**
0 85 ... 253 V AC
5 10 ... 30 V AC/DC
- 4. **Options**
00 No options

EG-KONFORMITÄTSBESCHEINIGUNG EC-CERTIFICATE OF CONFORMITY



Zertifikat-Nr.:
Certificate No.:

ST500ATEX.002



Hersteller / Importeur:
Manufacturer / Importer:

Martens Elektronik GmbH
Kiebitzhörn 18
D-22885 Barsbüttel

Produkt:
Product:

ST500Ex / TV500Ex

Produktbeschreibung:
Object description:

Speisetrenner / Trennverstärker
Isolating signal converter / Transmitter

Wir erklären in alleiniger Verantwortung, dass das bezeichnete Produkt die
Schutzanforderungen der Europäischen Richtlinien erfüllt.
We hereby declare in sole responsibility that the designated product fulfills the safety requirements of the European
directives.

Erfüllung der EMV-Richtlinie 2004/108/EG
Fulfills the EMC directive 2004/108/EG

Prüfung nach den Normen: EN 61316-1: 2004-05
Tested in compliance with norms:

Erfüllung der ATEX-Richtlinie 94/9/EG
Fulfills the ATEX directive 94/9/EG

Prüfung nach den Normen: EN 60079-0: 2006 EN 60079-11: 2007
Tested in compliance with norms: EN 61241-0: 2006 EN 61241-11: 2006

EG - Baumuster-
prüfbescheinigung:
EC-type examination certificate:

TÜV 97 ATEX 1150

Datum der Erstanbringung des:
CE-Zeichens auf das Produkt
Date of first application of the CE mark
to the product

06.1997

Ort, Datum:
Place, date:

Barsbüttel, den 17.9.2009

Rechtsverbindliche Unterschrift:
Legally binding signature:



Geschäftsleitung, manager