

Solid State Relay DC 30-D3

DC-switchmodul for inductive load

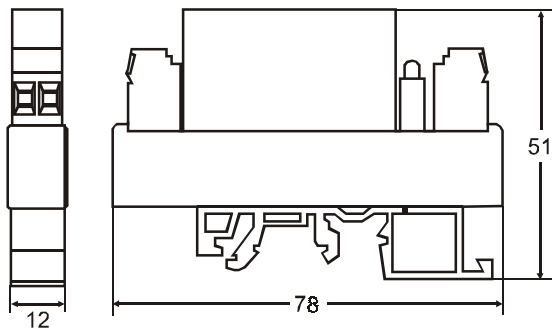
Features

- Load circuit max. 30V DC / 3A*
- Peak current 1s 5A
- Voltage drop at max. load current 1.5V
- Leak current at off mode 1mA
- Full 2-port isolation
- Drive circuit 3-24V DC with LED green
- Input resistance 1kΩ
- Suitable for inductive loads

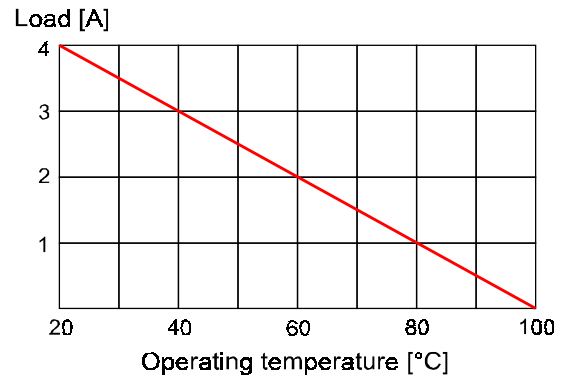


Order code: DC30-D3

Dimensions



* load current table



Connection diagram

