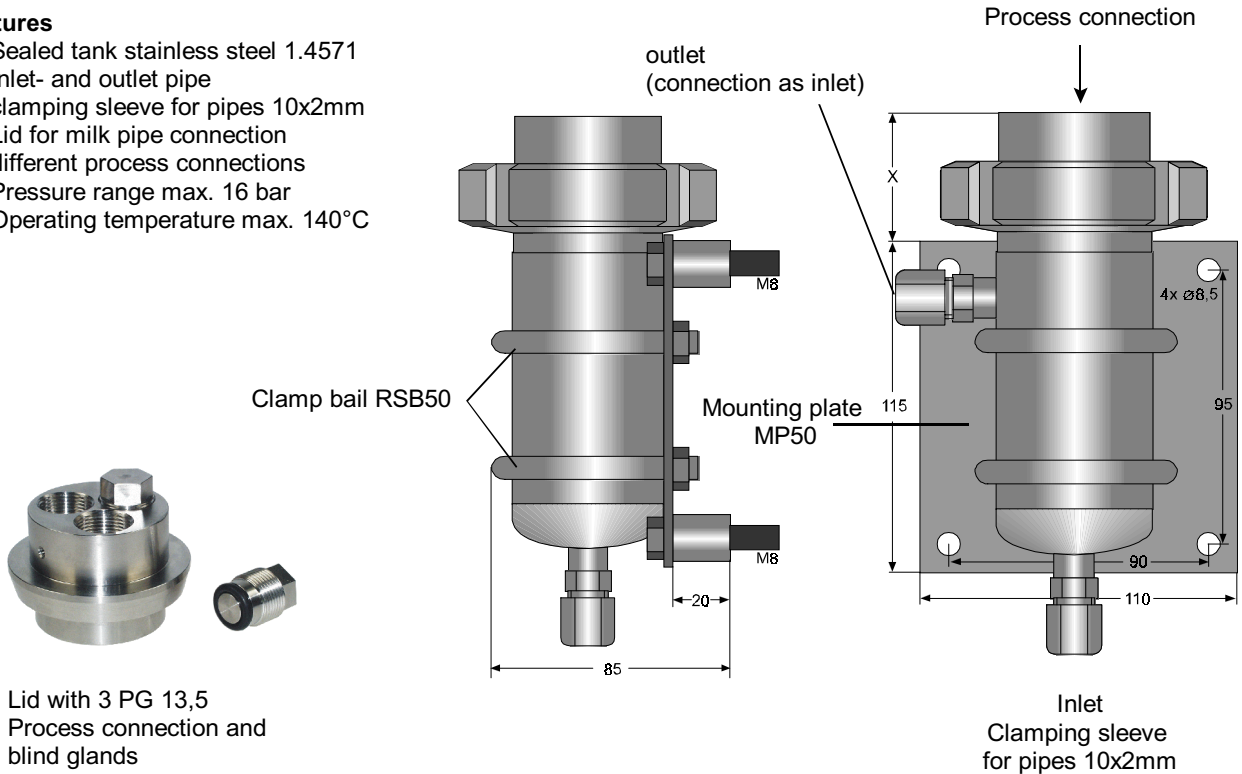


Flow tank DFG

for continuous analysis measurement

Features

- Sealed tank stainless steel 1.4571
- Inlet- and outlet pipe clamping sleeve for pipes 10x2mm
- Lid for milk pipe connection different process connections
- Pressure range max. 16 bar
- Operating temperature max. 140°C



Order code: DFG - - -

- | | | |
|------------------------------|----------|---|
| 1. Model | 50 | Measuring tank D = 54mm
Stainless steel 1.4571 |
| 2. Process connection | 1xPG13.5 | for 1 x process thread PG13.5 (X = 45mm) |
| | 3xPG13.5 | for 3 x process thread PG13.5 (X = 45mm) |
| | G1A | for 1 x process thread G1A (X = 27mm) |
| 3. Option | 00 | without option |

Accessories (stainless steel 1.4571)

- | | |
|-----------|--|
| MP50 | Mounting plate (incl. mounting parts) |
| RSB50 | Clamp bail (incl. bolt nuts) |
| VS PG13.5 | Blind glands PG13.5 (incl. seal-ring),
for closing not used process connections |