

Rotary-Encoder DG 58

Incremental 2-channel-rotary encoder with zero signal

Features

- Max. pulse frequency 50kHz
- Supply voltage 11 ... 28V DC
- Current demand ≤80mA (without load)
- Push-pull output max. 30mA/channel
- Operating temperature -20 ... 60°C
- Max. revolution 6000U/min
- Max. shaft torque axial 15N, radial 30N
- Shaft stainless steel, flange Aluminium, case zinc die casting
- Ball bearing
- Protection IP65
- 2m connection cable



Order code: DG 58 - 1. - 2. - 3.

1. **Pulse per rotation** (please state in clear text)
 100-200-360-500-1000
 (other pulses on request)
2. **Shaft diameter**; dimension next page
 6 6mm
 10 10mm (standard)
3. **Flange type**
 KF clamp flange
 SF synchro flange
 (with separate adapter)
4. **Cable entry**
 A axial (standard)
 R radial

Accessories

Synchro flange	SF58 convertible kit	
Mounting bracket	MW58 (fitted for rotary encoder with clamp flange)	
Coupling	SK58-10-10	bore hole 10/10mm
Coupling	SK58-10-6	bore hole 10/ 6mm

Measuring wheels

Order code: MR - 1. - 2. - 3.

1. **Periphery**
 200 200mm
 500 500mm
2. **Type / cover**
 01 Aluminium with cross knurling
 02 Aluminium Vulcollan coated
 03 Aluminium rubber coated
3. **Shaft diameter**
 06 6mm (only periphery 200mm)
 10 10mm (only periphery 500mm)

Measuring wheel

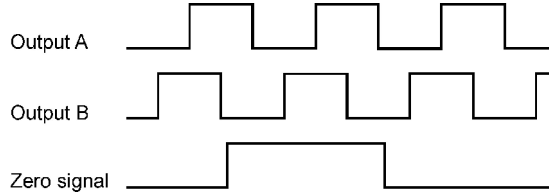
<i>Type</i>	<i>applications</i>
01	cardboard, wood
02	plastic, lacquer coated, paper, cardboard, wood, metal, wire
03	textile

Rotary encoder DG 58

Electrical connection

	GND	+Supply	Output A	Output B	Zero signal
Colour	WHITE	BROWN	GREEN	YELLOW	GRY

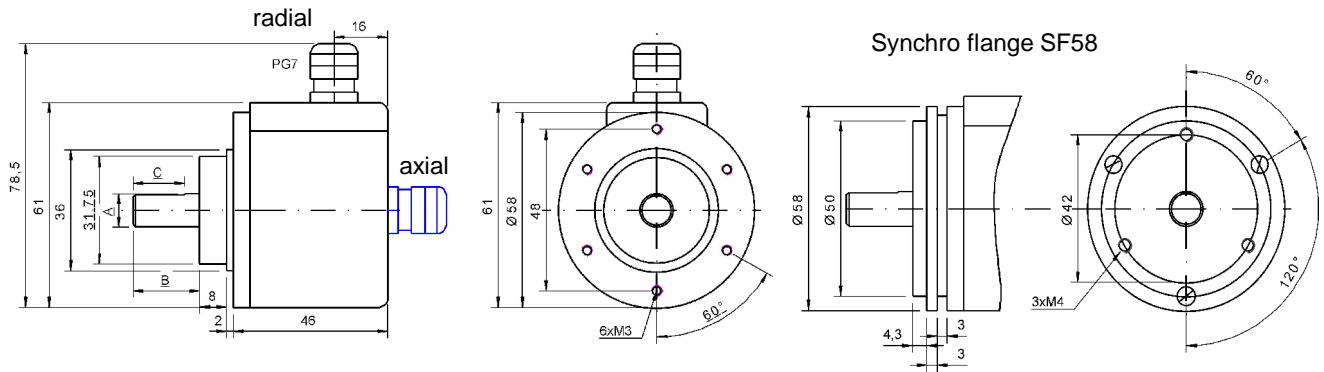
Signal output



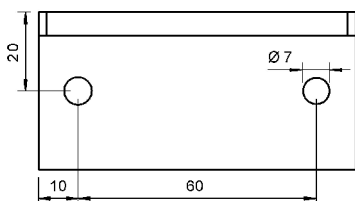
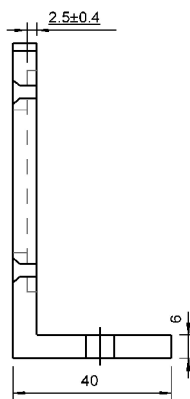
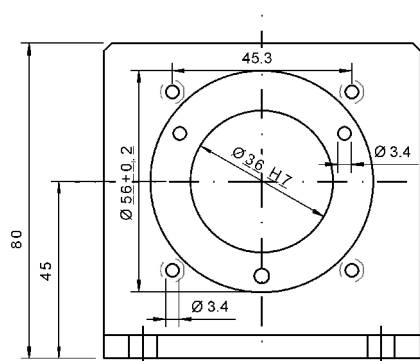
Dimension

Shaft dimensions [mm]

A	B	C
6	10	9,5
10	20	15



Mounting bracket MW58



Coupling SK58

