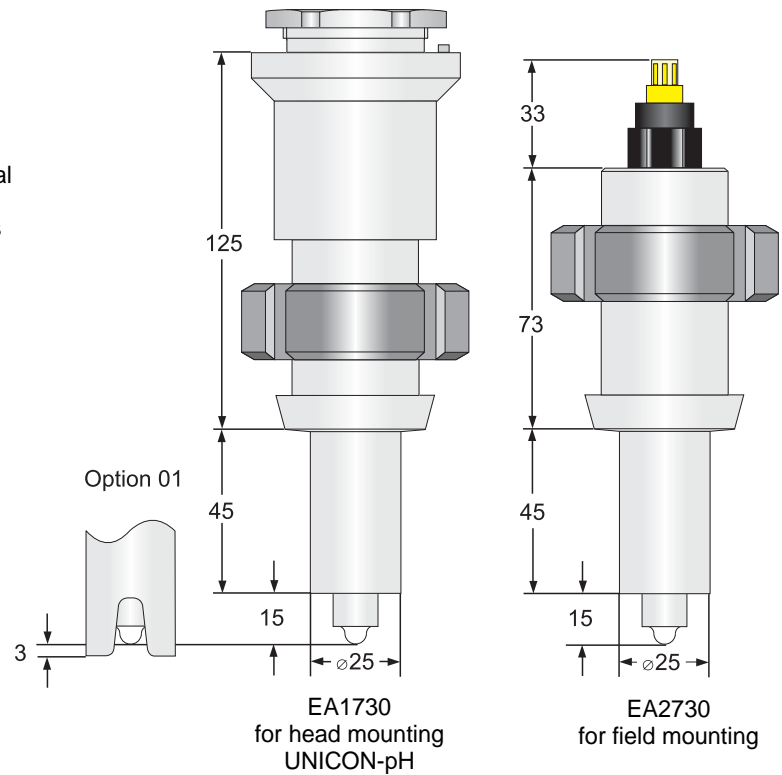


In-line Fitting EA 1730/EA 2730

Hygienic fitting material PVDF for milk-pipe connection acc. to DIN 11887

Features

- German WRA conformity and FDA approval
 - Used in food industry applications
 - Fits for combined pH- and ORP-electrodes with mounting length 120 mm, process connection PG13.5
 - Operating temperature -10 ... 120 °C*
 - Steam sterilisation 1h at 140 °C*
 - Pressure range max. 16 bar*
- *max. value



In-line fitting with built-in sensor
(not part of delivery).

Ordering code: EA 1. - 2. - 3. - 4.

- 1. Model**
 - 1730 Head mounting UNICON-pH, incl. cap nut (stainless steel 1.4301)
 - 2730 Field mounting, incl. cap nut (stainless steel 1.4301)
- 2. Process connection**
 - DN25
 - DN40
 - DN50
 - DN65
- 3. Conductivity cells/electrodes**
 - 0 for standard pH- and ORP-combined electrodes
- 4. Option**
 - 00 without option
 - 01 with integrated tip protection (only for pH- and ORP-electrodes)

Custom models on request.