

Flow-Sensor FS 232

Toothed-ring pulse sensor

Features

- Volumetric measurement for viscose self-lubricating Median und water like liquids
- 4 measuring ranges from 2 ... 150 l/min
- Accuracy ±3%
- Material case aluminium oxidised ; tooth-ring stainless steel; seal Viton®, acc. to German WHG
- Medium temperature max. 125°C
- Pressure range 100 bar
- Supply voltage Measuring range 1 = 24V DC±10%, measuring range 2-4 = 10-30V DC
- Protection IP65
- 4-pole angle entry plug acc. to DIN EN175301-803/A
- No mounting direction necessary



The sensor is not suitable for the measurement of liquids with solid parts.

Order code: FS-232 - - - -

1. Meas. range [l/min]	K-factor[imp./L]	Process connec.	Press. drop* [bar]	
1	0.04 - 2.0	25000	G 1/4	3.9
2	0.10 - 6.0	5000	G 3/8	3.2
3	0.50 - 50.0	500	G 3/4	2.8
4	3.00 - 150.0	191.5	G 1	8.0

*depends on max. flow

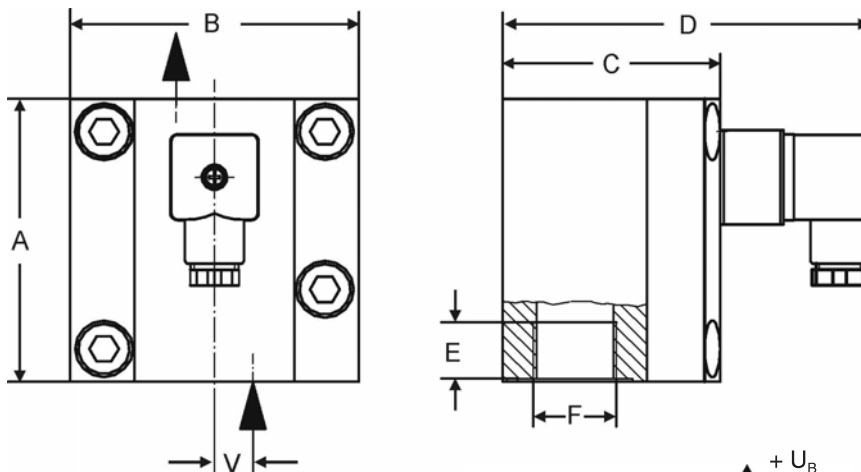
2. Material	Case	/ tooth-ring
6	Aluminium oxid.	/ stainless 1.4462
7	Stainless 1.4404	/ stainless 1.4462

(only measur. range 1+2)

3. Output		Standard
3	NPN	
4	PNP	

4. Options	
00	without option
11	Medium-temperature 125°C

Dimensions



Dimension table [mm]

Model	A	B	C	D	E	F
1	55	55	50	97	13	1/4"
2	55	55	50	97	13	3/8"
3	90	90	68	115	18	3/4"
4	120	170	105	152	19	1"

