

# Graphic-Recorder GR 1414MT

**Max. 16 inputs - max. 4 analog outputs - industry touch-screen**

DIN 144x144 mm  
 Panel cut-out 138x138 mm  
 Mounting depth 200mm (+80 mm for power plug)  
 Slide-in terminals  
 Weight 2.7 kg

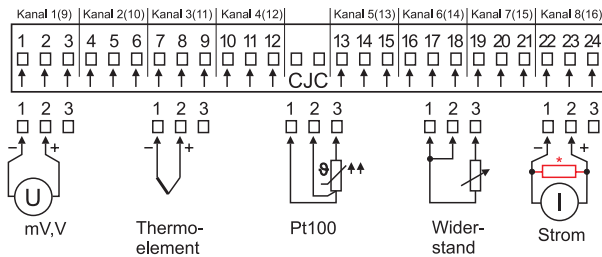
## Features

- 4-, 8-, 12- or 16-channel graphic recorder
- Universal inputs with 16-Bit resolution for thermocouple; Pt100; mV, V, mA
- 5"- colour display 320 x 240 Pixel with touch-screen
- Data displayed in trends, bars and numeric values
- Chart speed and sampling rate separately programmable
- Recording up to 50 Hz (sampling rate 20ms)
- Internal memory 70 MB bis 1850 MB
- Storage on Compact-Flash-cards or USB-sticks
- Datenaufzeichnung in verschlüsselten Dateien
- Data record in encrypted files
- Front side USB-interface for keyboard and mouse
- 96 Software-alarms (alarm status will be recorded)
- Screensaver
- Context sensitive helpscreen
- 4- level pass word protection up to 50 user
- Standard relay output and 16 relay outputs additional
- 8/16 digital in- and outputs programmable
- User defined screens
- Extended security system (FDA-conform) optional
- Desktop cases see page 64

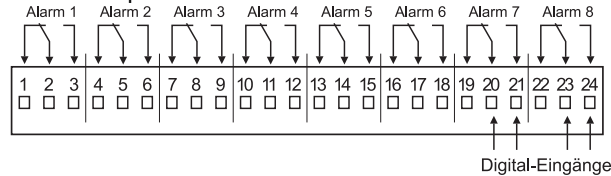


## Connection diagram

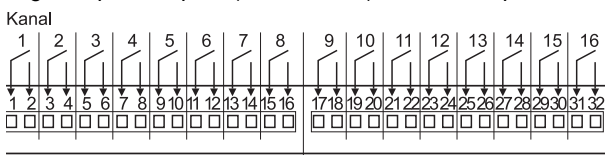
Analog input terminal strip A and B



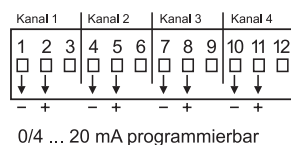
Relay outputs (4 or 8 outputs or 6 and 2 digital inputs) terminal strip G



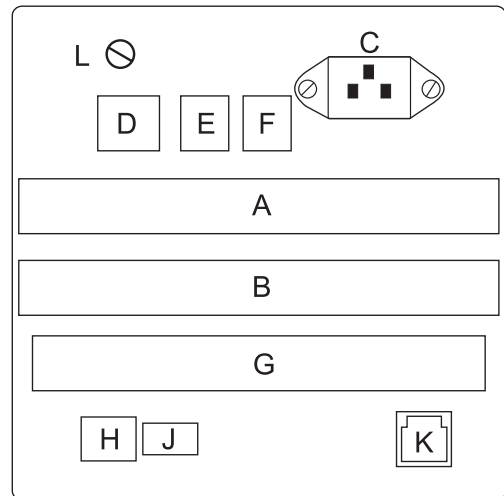
Digital inputs/outputs (16 channels) terminal strip G



Analog output (2 and 4 channels) terminal strip G



## Rear view



## Rear connection

- 1: Supply voltage 100...250 V AC
- 2: Supply voltage 24 V AC/DC
- 3: Transmitter supply 24 V DC
- 4: Standard relay output
- 5: Terminal strip A
- 6: Terminal strip B
- 7: Terminal strip G
- 8: RS485-interface
- 9: USB-Host
- 10: Ethernet-interface
- 11: Earth ground terminal

\* Shunt resistance 10 Ω/0.1 % for current measuring (included by delivery)  
 CJC integr. temperature sensors for cold junction compensation

Ordering-code next page

Ordering-code: GR1414MT -  1. -  2. -  3. -  4. -  5. -  6. -  7. -  8.

1. **Terminal strip A** (analog inputs)
  - I4 4 Universal inputs
  - I6 6 Universal inputs
  - I8 8 Universal inputs
2. **Terminal strip B** (analog in- and outputs)
  - 00 without
  - I6 6 additional universal inputs
  - I8 8 additional universal inputs
  - O2 2 Analog outputs
  - O4 4 Analog outputs
3. **Terminal strip G** (digital out- and inputs)
  - 0 without
  - 4 4 Relay outputs
  - 8 8 Relay outputs or  
6 Relay outputs and 2 digital inputs
  - 16 16 Digital in-/outputs selectable
4. **Internal memory**
  - 0070 70 MB (standard)
  - 0400 400 MB
  - 1850 1850 MB
5. **Supply voltage**
  - 0 90 ... 240 V AC 50Hz
  - 5 24 V AC/DC
6. **Firmware** (combinations possible)
  - 0 Standard
  - G Groups for pens
  - P 16 additional pens
  - B Chargen protocol
  - T Totalizer
  - M Mathematic bundle
  - C User defined screens (option SD necessary)
  - E Event management
7. **Software**
  - TV TrendViewer
  - TM TrendManager Pro Software bundle
  - TS TrendServer Pro Software bundle (1 user license)
8. **Optionen**
  - 00 without
  - SD Software package ScreenDesigner for GR1414MT
  - ES Extended security system ESS (FDA conform)

## Software description

### TrendViewer

Standard software bundle. Only for viewing, graphing and printing stored data.

**TrendManagerPro** is an advanced data analysis/archiving software bundle. It provides full configuration of the recorder with functions for displaying, archiving, print-out and export of data.

**TrendServerPro** is full NetWare software bundle for communication with the recorder. It supports all capabilities of TrendManager Software plus FTP and Web browser access.

**ScreenDesigner** allows to design customization screens.