

Level sensor IL 10

Level measurement in intrinsically safety areas



Features

- Intrinsic safety ATEX II 1G EEx ia IIC T6
- Applicable in following Ex areas:
gases and mist: Zone 0, Zone1 und Zone 2
dust area: Zone 20, Zone 21 und Zone 22
- Measuring ranges from 0... 100mbar up to 0 ... 25bar relativ
- Output 4 ... 20mA, 2-wire connection
- Accuracy 0.5%
- Flush diaphragm
- Operating temperature -10 ... 60°C
- Supply voltage 10 ... 30V DC
- PUR-cable*; with cord fastener up to 1kN
- Housing stainless steel 1.4571
- Protection IP68 (max. 300m depth of immersion)
*PUR-cable → drink-, process-water, petrol, petroleum,
plant oil, carbonic acid
- International approvals ATEX, FM (USA) and CSA (Canada)

Note: don't squeeze connection cable! (pressure compensation)



Order code: IL10 - 1. - 2. - 3.

1. Output

2 4 ... 20mA

2. Measuring range [bar]

0.1 / 0.16
0.25 / 0.4 / 0.6 / 1 / 1.6 / 2,5 / 4 / 6 / 10 / 16 / 25

3. Cable length [m]

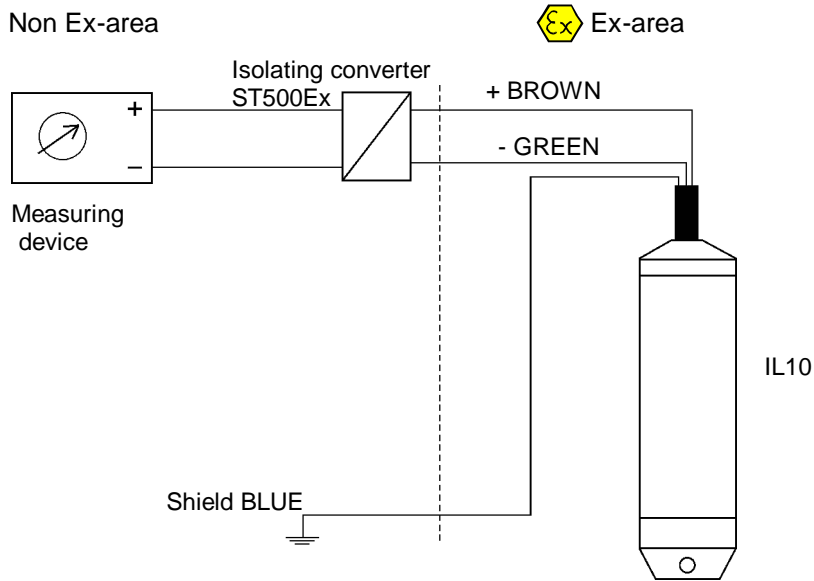
(please insert)

Accessories

- G10 additional weight (0.5kg)
- ASK anchor clamp (steel zinc plate)
- ASK-E anchor clamp (stainless steel 1.4571)
- ASV-E anchor gland (stainless steel 1.4301)

Connection diagram

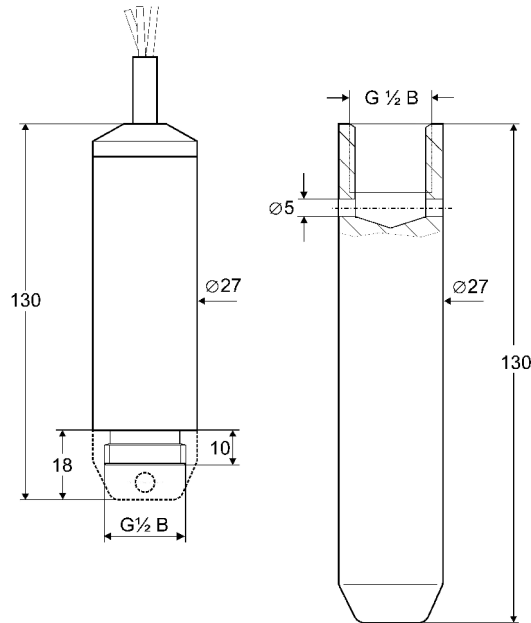
2-wire connection



Dimensions

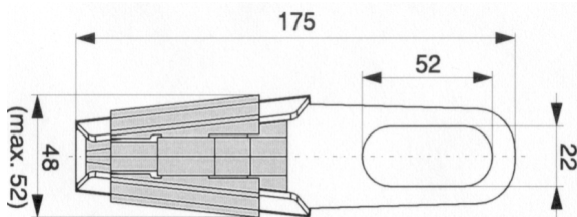
Level sensor
IL10

additional weight
G10



Accessories

Anchor clamp ASK(-E)



Anchor gland ASV-E

