

Load cell series KS

Force from 0 ... 50kg up to 0...100t

Features

- DMS-strain-gauge, bridge resistance 350/700 Ω
- Output signal 2mV / V, exact sensitivity on the type plate
- Accuracy 0.2%
- Repeatability ± 0.07%
- Bridge supply max. 20V DC, recommend 10V DC
- Zero unbalance <2%
- Operating temperature -15 ... 75°C
- Maximum overload 150%
- Connection cable 2m
- Protection IP65
- Housing stainless steel on request



Order code: KS - 1. - 2. - 3.

1. Model		Bridge resistance
01	Measuring range 50 / 100 / 200 / 500kg	350Ω
02	Measuring range 1 / 2 / 5t	350Ω
03	Measuring range 5 / 10t	350Ω
04	Measuring range 20 / 50 / 100t	700Ω

2. **Measuring range [kg or t]**
please state in clear text

3. **Options**
0 without option

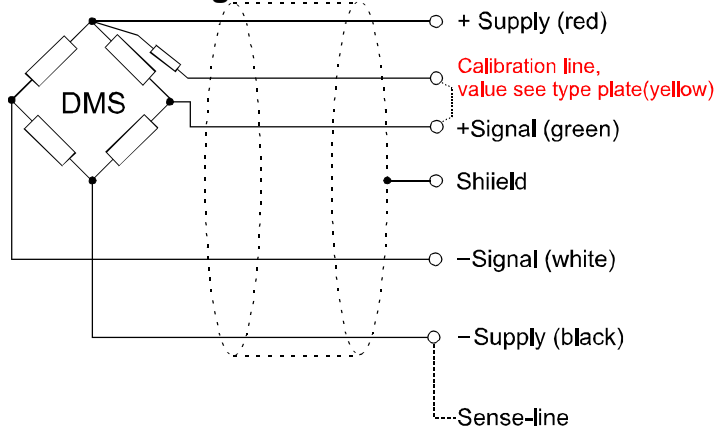
Note! For correct mounting it is necessary to use mounting saddles.

Accessories

Mounting saddle
MS-01 for model 01
MS-02 for model 02
MS-03 for model 03
MS-04 for model 04

Connection diagram and dimensions see next page.

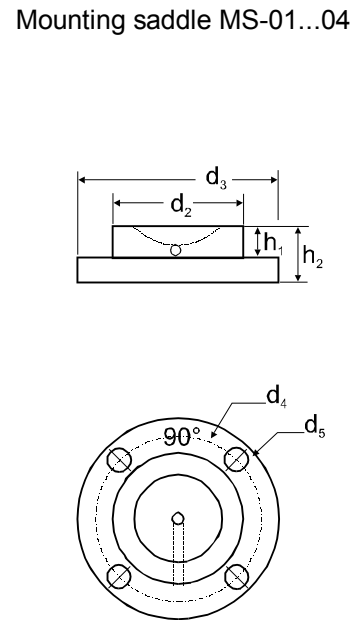
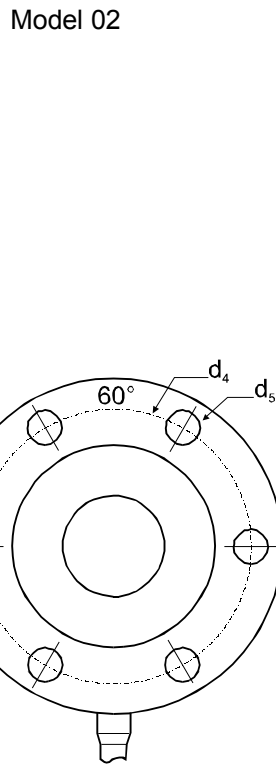
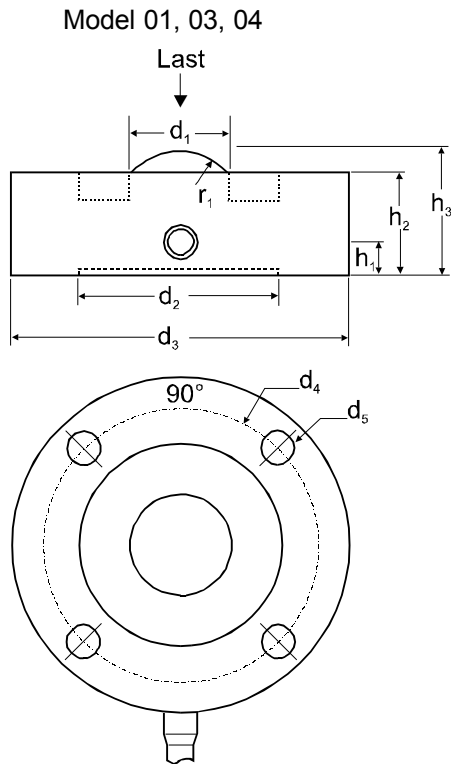
Load cell series KS Connection diagram



Bridge supply max. 20V DC
 recommend 10V DC

The sense line is used to compensate line resistance from load-cell to panelmeter DMS9648.
 For distances more than 2m it is recommended to use the sense line

Dimensions



Dimension table [mm]

Model	∅d1	∅d2	∅d3	∅d4	∅d5	h1	h2	h3	r1	N
1	10	60	78	69	4.5	9.5	27	29	7	4
2	20	70	99	85	6.5	9.5	27	31	15	6
3	30	80	118	98	8.5	9.5	35	42	20	4
4	72	122	177	149	16.5	13	55	78	40	4
Mounting saddle										
MS-01	-	16	38	27	4.5	9	15	-	-	4
MS-02	-	40	78	60	8.5	15	25	-	-	4
MS-03	-	40	78	60	8.5	15	25	-	-	4
MS-04	-	110	144	149	16.5	33	50	-	-	4