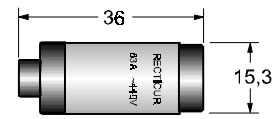
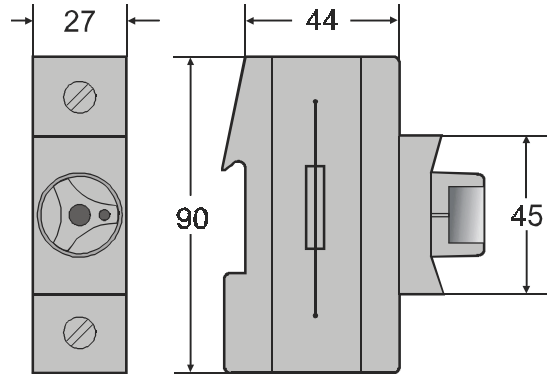


Fuses for solid state relays (SSR) Fuse-bases with screw caps



Fuse-link



Fuse-base with screw-cap

Features

Fuse-links

- Nominal voltage max. 440V AC
- Rated current max. 63A
- Fuse-links for bases D0 2
- Compatible with all NEOZED-bases
- Utilization categories gR

Fuse-bases

- Nominal voltage max. 400V AC
- Finger safe according VBG4
- Mounting on TS35 DIN rail acc. EN 50022
- Fuse- base and screw-cap (with testing hole) material plastic

Stock

Fuse-link	rated current		
D02-S25A	25A	for SSR-Relay	25A Type
D02-S35A	35A	for SSR-Relay	45A Type
D02-S63A	63A	for SSR-Relay	125A Type

Fuse-base

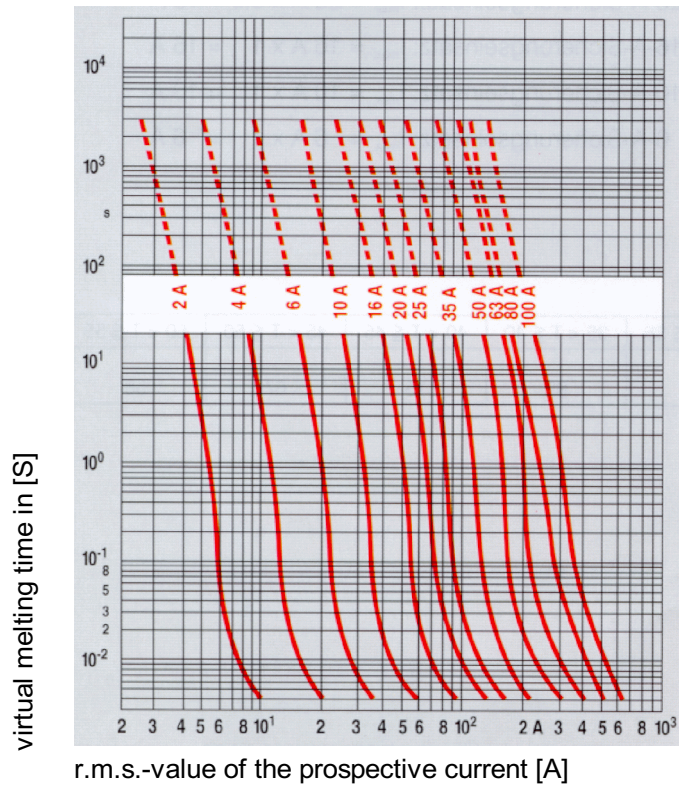
D02-SS	fuse-base
D02-SK	screw cap

Technical data

fuse type	rated current [A]	melting I ² t-value cold [A ² s]	switch off I ² t-value at 440V _{eff} [A ² s]	dissipation power [W]	weight [grams]
D02-S25A	25	90	180	6	12
D02-S35A	35	210	410	8.4	13
D02-S63A	63	1300	2500	13.9	15

fuse-base	rated current [A]	connection type	number of poles	cond. cross section [mm ² max.]	weight [grams]
D0 2	63	dual function terminals	1	35	140

Time-current characteristics of NEOZED fuses



Forward current characteristics

