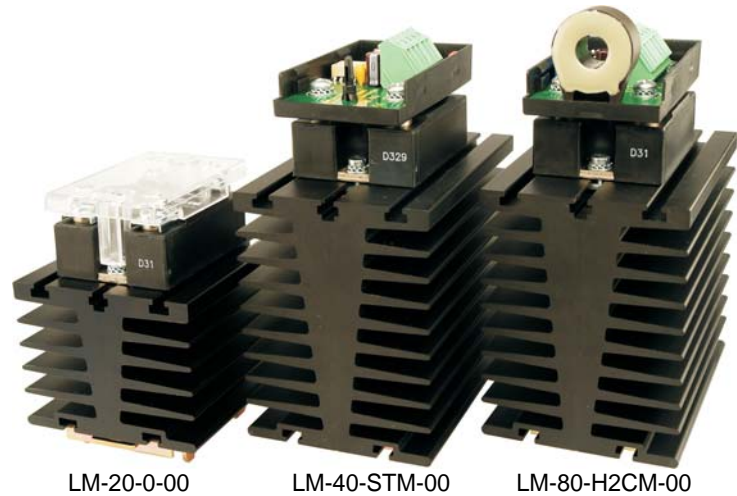


Power Module series LM

SSR-Relay with integrated heat-sink

Features

- Load circuit 1 ~ 48 ... 530 V AC 50-60 Hz
(see technical data page 190)
- Load current 20, 40 and 80 A
- Zero voltage switch
- Full 2-port isolation
- Test voltage 4 kV ~
- Drive voltage 3 ... 28 V DC, bistable
- Additional with current alarm module H2CM
- Additional with cont. input drive module STM40
- DIN rail mounting TS35



LM-20-0-00

LM-40-STM-00

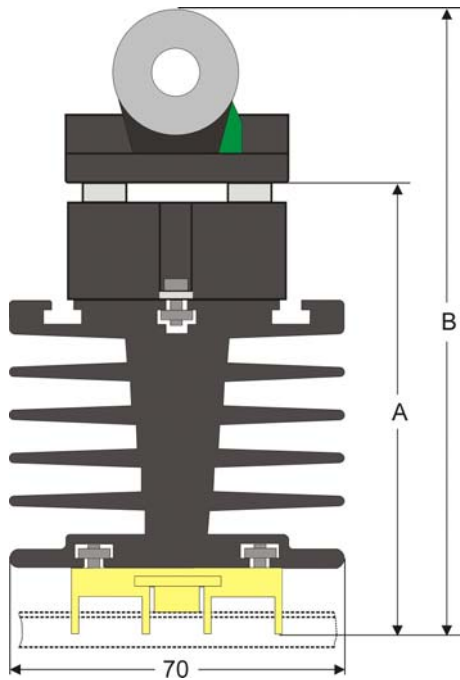
LM-80-H2CM-00

Ordering code: LM - 1. - 2. - 3.

- 1. Load current** at 45 °C and 100 % ED
20 max. 20 A AC
40 max. 40 A AC
80 max. 80 A AC
- 2. Additional accessories**
0 without (terminal cover incl.)
H2CM with current alarm module H2CM
STM mit cont. input drive module STM40
- 3. Options**
00 without option

Dimensions and connection diagram next page

Dimensions



Module dimensions [mm]

	A	B	depth
LM-20-0-00	93		75
LM-20-STM-00		116	75
LM-20-H2CM-00		129	75
LM-40/80-0-00	130		100
LM-40/80-STM-00		153	100
LM-40/80-H2CM-00		165	100

Connection diagram

