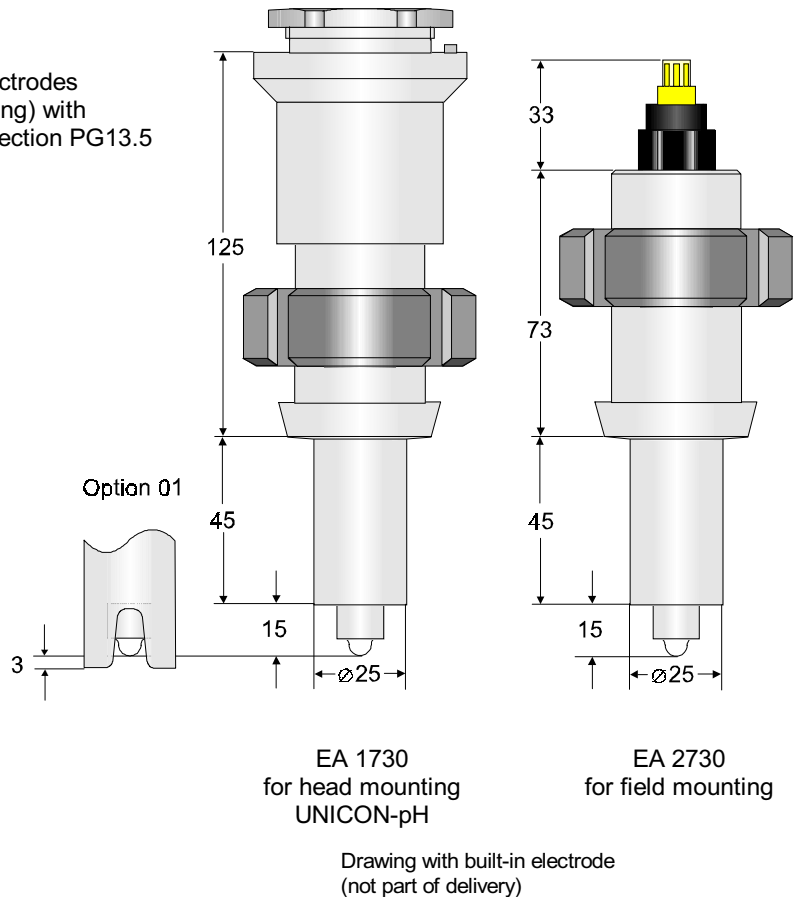


# In-line fitting EA 1730 / EA 2730

Hygienic fitting material PVDF for milk-pipe connection acc. to DIN 11887

## Features

- Used in food industry applications
  - Fits for combination pH- and Redox electrodes and conductivity cells (only field mounting) with mounting length 120mm, process connection PG13.5
  - Working temperature -10 ... 120°C\*
  - Steam sterilisation 1h at 140°C\*
  - Pressure range max. 16 bar\*
- \*max. value



Order code: EA  -  -  -

### 1. Model

- 1730 for head mounting UNICON-LF, incl. lock nut, O-ring and slot nut (stainless steel 1.4301)
- 2730 for field mounting, incl. slot nut (stainless steel 1.4301)

### 2. Process connection

- DN25
- DN40
- DN50
- DN65

### 3. Conductivity cells/Electrodes

- 0 for standard pH- and redox combination electrodes
- 1 for pH-combination electrode AL32pHT
- 2 for Conductivity cell LF71-T (only field mounting, other dimensions)

### 4. Option

- 00 without option
- 01 with integrated tip protection (only for pH- and Redox electrodes)