

# Pressure-Transmitter series S and IS

Over pressure - diminished pressure - absolute pressure



## Industry standard-case

Stainless-steel 1.4571 and 1.4542  
 Process thread G1B / G½B (DIN 16288)

## Features

- Measuring ranges from -1 ... 0 bar up to 0 ... 1000 bar; relative
- Other ranges on request!
- Output 0 ... 20, 4 ... 20 mA or 0 ... 10 V
- Accuracy 0.5 % or 0.25 %
- Standard pressure port (model S10)
- Flush diaphragm (model S11)
- Ex- protection EEx ia I/II C T6 acc to ATEX, FM (USA) and CSA (Canada) approvals (series IS)
- Max. medium temperature  
 S10/S11 : -30 ... 100 °C  
 IS20/IS21 : -20 ... 80 °C
- Supply voltage 10/(14) ... 30 V DC
- L-connector 4-pole, DIN EN 175301-803/A
- Protection IP65



Ordering code:  1.  2.  3.  4.  5.

### 1. Device type

- S 1 Standard device (not for Ex areas)
- IS 2 Device for Ex areas\*



### 2. Model

- 0 standard pressure port, process thread G½B  
 -1 ... 0/0 ... 1000 bar
- 1 flush diaphragm, process thread G1B  
 0 ... 0.1/1.6 bar  
 flush diaphragm, process thread G½B  
 0 ... 2.5/600 bar

### 3. Output

- 0 0 ... 10 V 3-wire connection (14 ... 30 V DC supply voltage)
- 1 0 ... 20 mA 3-wire connection (10 ... 30 V DC supply voltage)
- 2 4 ... 20 mA 2-wire connection (10 ... 30 V DC loop voltage)

### 4. Options

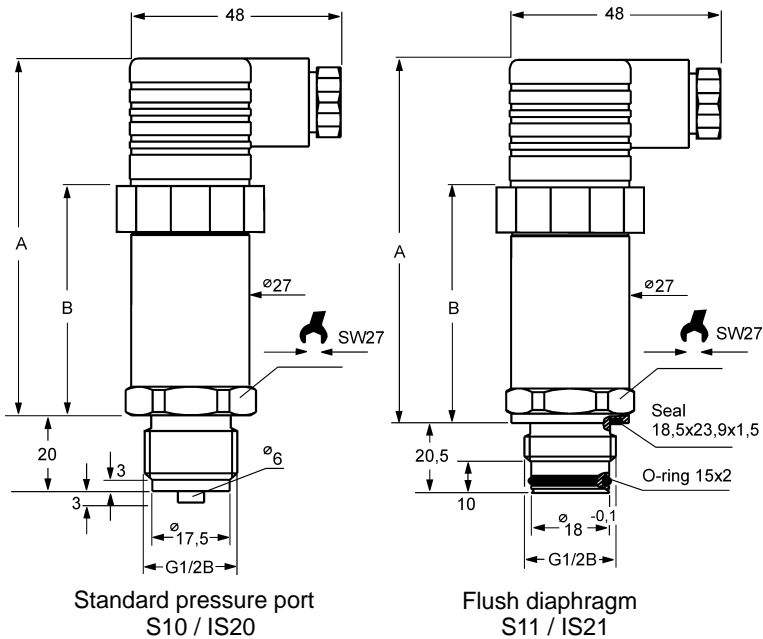
- 00 without option
- 01 custom measuring range S10/S11 (please state in plain text)
- 02 accuracy 0.25 %
- 03 absolute pressure measurement
- 04 custom measuring range IS20/IS21 (please state in plain text)
- 05 medium temperature -40 ... 125 °C (higher temp. on request)

	piezoresistive sensors												thin-film sensors									
Measuring range	-1	0.1	0.16	0.25	0.4	0.6	1	1.6	2.5	4	6	10	16	25	40	60	100	160	250	400	600	1000
max. overload	5	1	1.5	2	2	4	5	10	10	17	35	35	80	50	80	120	200	320	500	800	1200	1500

\*Device type IS is only available with output 4 ... 20mA

Dimensions and connection diagram next page!

## Dimensions

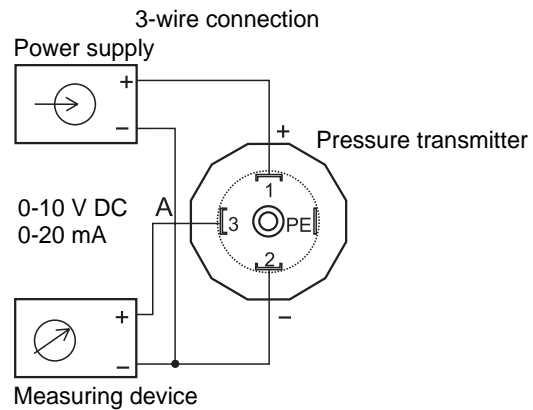
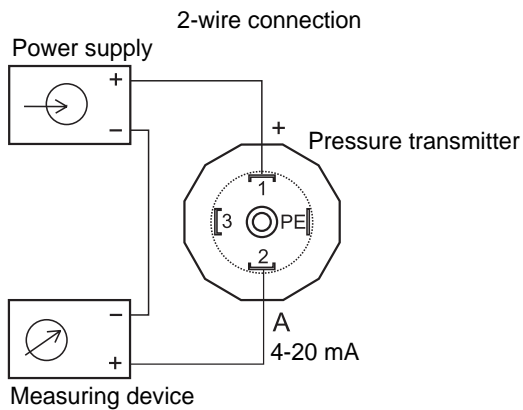


### Dimensions

Typ	A	B
S 10	83	55.5
IS 20	103	75.5
S 11	85	57.5
IS 21	105	77.5

## Connection examples

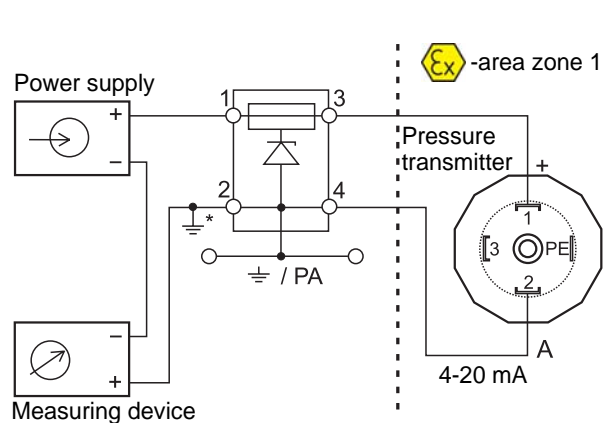
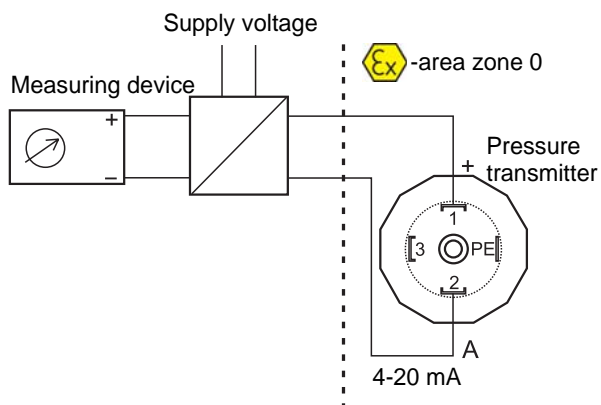
### S10/S11



### IS20/IS21 2-wire connection with:

EEx-ia-isolating converter e.g. ST500-Ex-ia-10-X

Safety barrier e.g. 9001-01



\* only isolated mounting possible