

Vibration Limit-Switch VS51

Certified as maximum limiter acc. to German WRA



Features

- Limit level switch for liquids
- Switching indication with LEDs
- Electronic output or switching output
- Max. process pressure -1 ... 64 bar
- Max. process temperature -40 ... 100 °C
- Viscosity-dynamic 0.1 ... 10000mPa s
- Density 0.7 ... 2.5 g/cm³ (0.025 ... 0.09 lbs/in³)
- 4-pole angle entry plug acc. to DIN EN 175301-803/A
- Material case and vibration fork stainless steel 1.4435
- Process thread G3/4A or G1A
- Protection IP65

Ordering code: VS51 - 1. - 2. - 3.

1. Output

- 1 PNP-Transistor output,
3-wire-connection 10 ... 55 V DC,
max. 250 mA, short circuit protection
- 2 Contact less switch,
2-wire-connection 20 ... 253 V AC/DC,
min. 10 mA, max. 250 mA

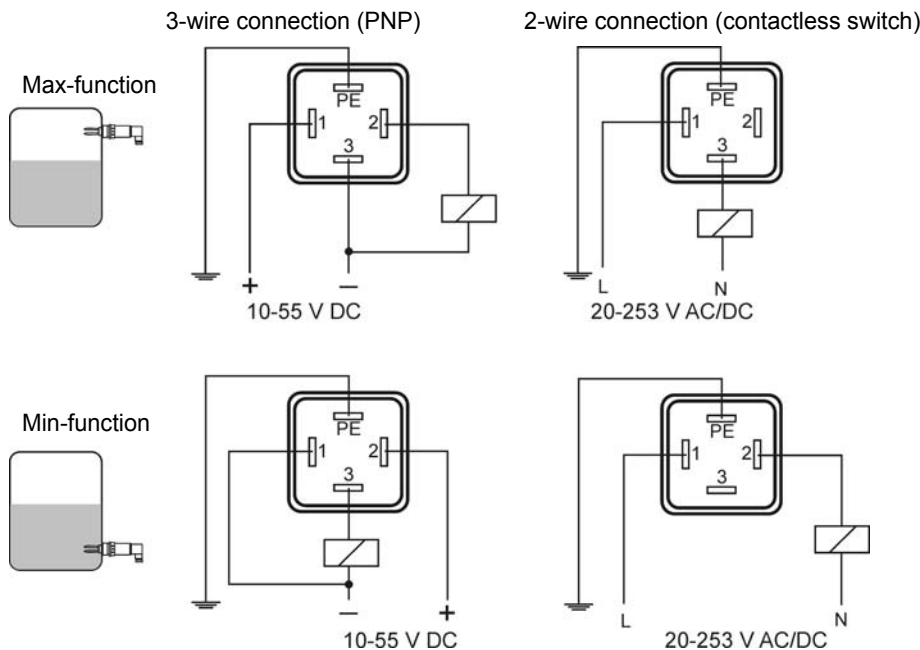
2. Process connection (A)

- G3/4A Process thread G 3/4 A L = 66 mm
- G1A Process thread G 1 A L = 69 mm

3. Options

- 00 without option

Connection diagram



Dimensions

